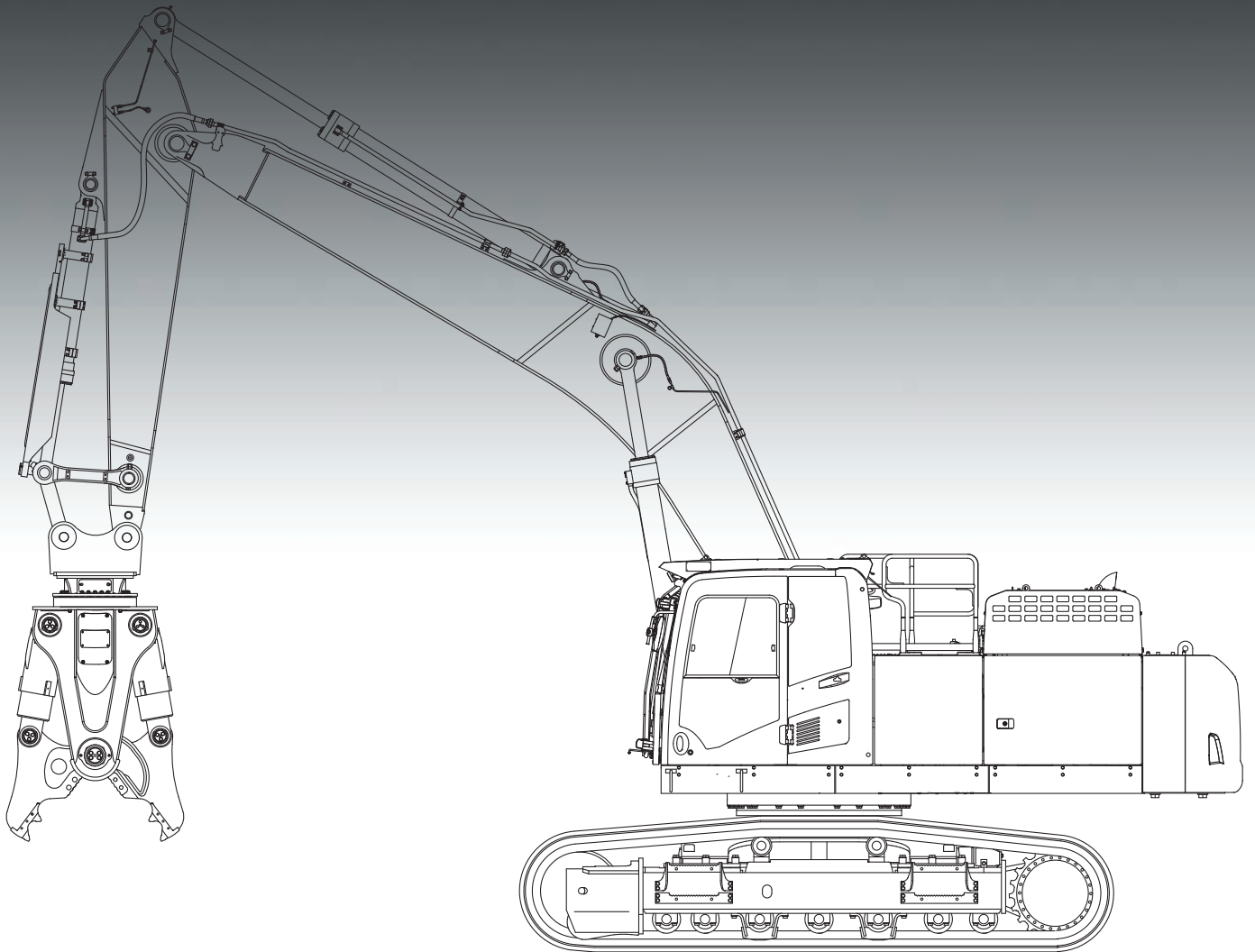


KOMATSU

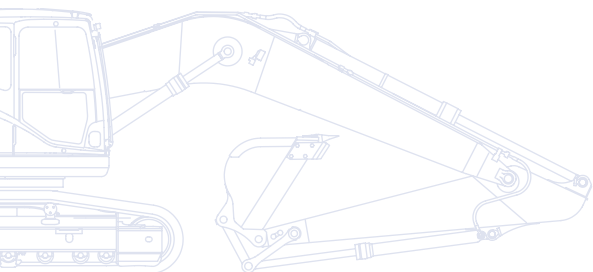


Demolition Excavators

PC490LC-10 Mono Boom

ENGINE POWER
270 kW / 362 HP @ 1.900 rpm

OPERATING WEIGHT
47.715 - 48.165 kg



Walk-Around



Work equipment

- A variety of arm lengths, allowing the machine to be set for most working configurations, are available
- Two additional hydraulic circuits piped with steel tubing to the end of the arm, suitable for demolition attachments

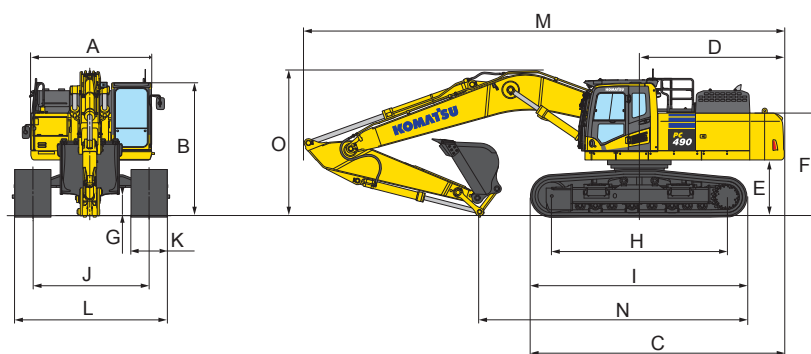
Heavy duty protection

- Heavy duty undercovers (9 mm) fitted to the upper structure offer enhanced resistance to damage from debris on the ground
- Extra heavy duty side protection (15 mm) fitted to each side of the upper structure; bolted on, offering protection from debris on the ground or side impact
- Attachment cylinder guard (optional)
- Reinforced bucket linkage
- Boom lamp protection guard
- Full length track roller guards (optional)
- Additional camera, right side mounted (optional)

Safety equipment

- Special Demolition Safety SpaceCab™ operator cabin (ROPS compliant with ISO 12117-2:2008)
- ISO 10262 Level 2 certified FOPS (Falling Object Protection System)
- Hinged front guard to allow easy access for windscreen cleaning
- Laminated glass roof window with wash wipe system
- Pressurised cabin helps to keep dust out. Climate control fitted as standard
- Joysticks with proportional control button for attachments
- Up to 5 different attachments can be pre set and named (5 breaker settings also available)

Dimensions & Specifications



MACHINE DIMENSIONS

MONO BOOM

	PC490LC-10
A Overall width of upper structure	3.145 mm
B Overall height of cab (including OPG)	3.570 mm
C Overall length of basic machine	6.300 mm
D Tail length	3.605 mm
Tail swing radius	3.645 mm
E Clearance under counterweight	1.385 mm
F Machine tail height	2.490 mm
G Ground clearance	700 mm
H Tumbler centre distance	4.350 mm
I Track length	5.385 mm
J Track gauge	2.890 mm
K Track shoe width	600, 700 mm
L Overall track width with 600 mm shoe	3.490 - *2.990 mm
Overall track width with 700 mm shoe	3.590 - *3.090 mm

TRANSPORT DIMENSIONS

MONO BOOM

	2,9 m	3,4 m
Arm length		
M Transport length	12.000 mm	11.930 mm
N Length on ground (transport)	7.620 mm	6.875 mm
O Overall height (to top of boom)	3.760 mm	3.635 mm

OPERATING WEIGHT (APPR.)

PC490LC-10

	MONO BOOM	
	Operating weight	Ground pressure
Triple grouser shoes		
600 mm	47.715 kg	0,84 kg/cm ²
700 mm	48.165 kg	0,73 kg/cm ²

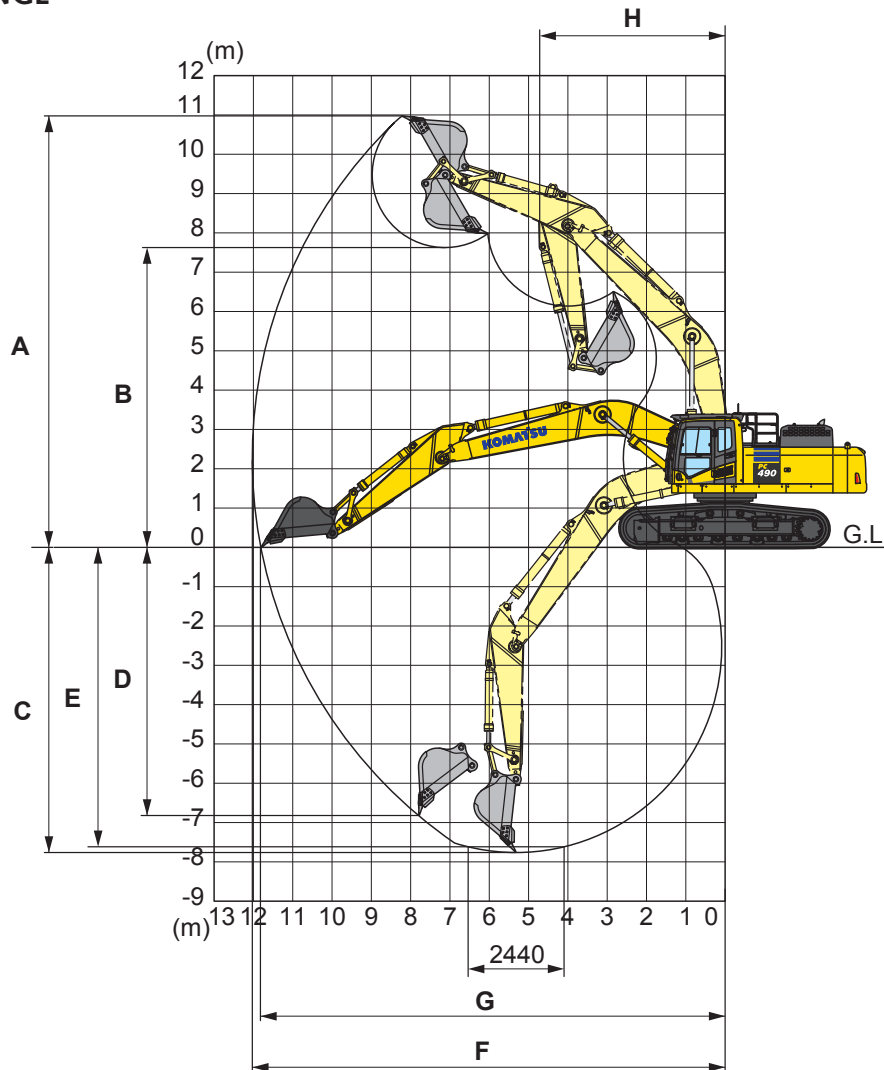
Operating weight, including specified work equipment, 3,4 m arm, 1.915 kg bucket, operator, lubricant, coolant, full fuel tank.

Demolition Excavators

PC490/LC-10

Mono Boom

WORKING RANGE



PC490/LC-10

MONO BOOM

	2,9 m	3,4 m
Arm length		
A Max. digging height	10.350 mm	10.980 mm
B Max. dumping height	7.145 mm	7.630 mm
C Max. digging depth	7.280 mm	7.755 mm
D Max. vertical wall digging depth	5.635 mm	6.805 mm
E Max. digging depth of cut for 2,44 m level	7.090 mm	7.615 mm
F Max. digging reach	11.445 mm	12.030 mm
G Max. digging reach at ground level	11.215 mm	11.810 mm
H Min. swing radius	4.810 mm	4.735 mm

Specifications: Engine power at rated engine speed (1.900 rpm): 270 kW/362 HP (ISO 14396). Engine emissions fully complies with EU Stage IIIB exhaust emission regulations. Noise levels: LwA external: 107 dB(A) (2000/14/EC Stage II). LpA operator ear: 71 dB(A) (ISO 6396 dynamic test. Vibration levels (EN 12096:1997): Hand/arm: 2,5 m/s² (uncertainty K = 0,25 m/s²). Body: 0,5 m/s² (uncertainty K = 0,10 m/s²). Contains fluorinated greenhouse gas HFC-134a (GWP 1430). Quantity of gas 1,0 kg, CO₂ equivalent 1,43 t.