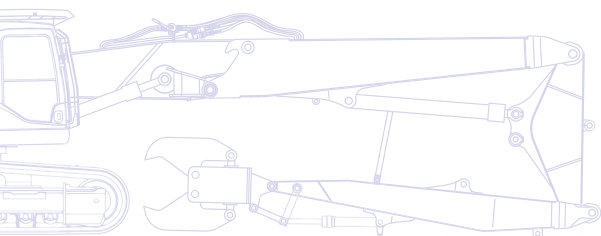


# KOMATSU

**PC**  
**240**



## Hydraulic Excavator **PC240LC/NLC-8** High-Reach Demolition



### ENGINE POWER

134 kW / 180 HP @ 2.000 rpm

### OPERATING WEIGHT

PC240LC-8: 29.030 - 29.300 kg

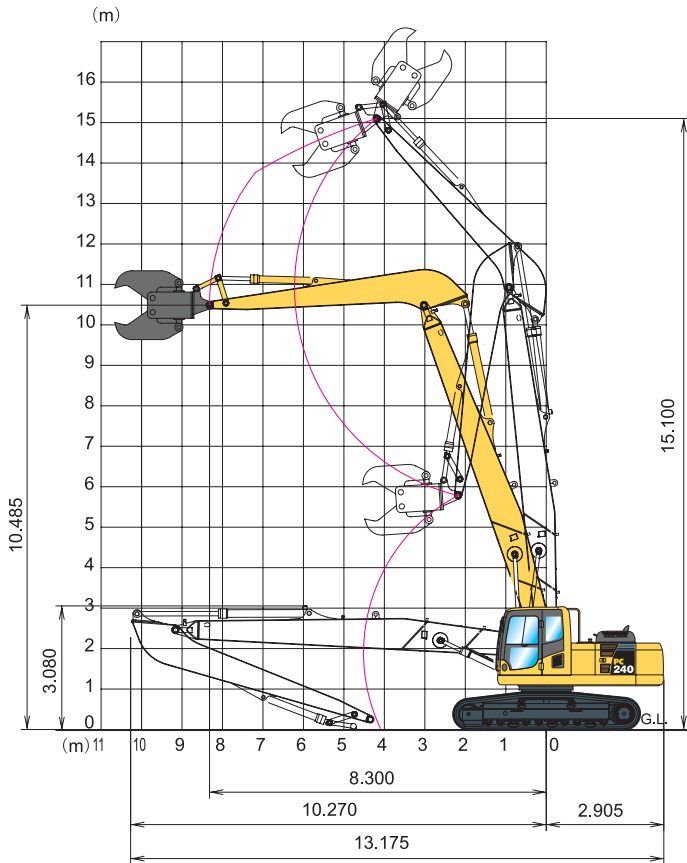
PC240NLC-8: 28.330 - 28.600 kg

### ATTACHMENT TOOL WEIGHT

max. 2.400 kg

# Hydraulic Excavator

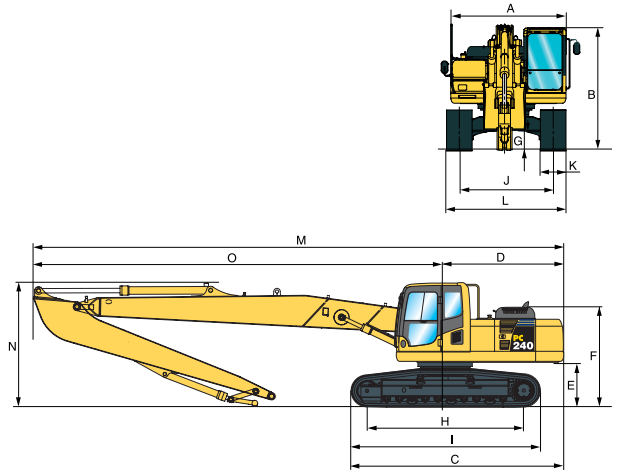
## PC240LC/NLC-8 High-Reach Demolition



### OPERATING WEIGHT (APPR.)

	PC240LC-8		PC240NLC-8	
	Operating weight	Ground pressure	Operating weight	Ground pressure
Triple grouser shoes				
600 mm	29.030 kg	0,58 kg/cm <sup>2</sup>	28.330 kg	0,59 kg/cm <sup>2</sup>
700 mm	29.300 kg	0,49 kg/cm <sup>2</sup>	28.600 kg	0,51 kg/cm <sup>2</sup>

Operating weight, including work equipment, 2.400 kg attachment, operator, lubricant, coolant, full fuel tank and the standard equipment.



### DIMENSIONS

	PC240LC-8	PC240NLC-8
A Overall width of upper structure (with demolition side guards)	2.710 mm (2.760 mm)	2.710 mm (2.760 mm)
B Overall height of cab, with FOPS	3.100 mm	3.100 mm
C Overall length of basic machine	5.225 mm	5.130 mm
D Tail length	2.905 mm	2.905 mm
E Clearance under counterweight	1.100 mm	1.100 mm
F Machine tail height	2.405 mm	2.405 mm
G Ground clearance	440 mm	440 mm
H Tumbler centre distance	3.845 mm	3.845 mm
I Track length	4.640 mm	4.450 mm
J Track gauge	2.580 mm	2.380 mm
K Track shoe width	600, 700 mm	600, 700 mm
L Overall track width with 600 mm shoe	3.180 mm	2.980 mm
Overall track width with 700 mm shoe	3.280 mm	3.080 mm
M Transport length	13.175 mm	13.175 mm
N Overall height (to top of boom)	3.080 mm	3.080 mm
O Swing centre to front distance	10.270 mm	10.270 mm

### IN ADDITION TO THE EQUIPMENT FITTED TO THE STANDARD PC240LC/NLC-8:

High reach demolition boom 9,0 m*	●	Heavy duty demolition side guards (bolt on)	●	One additional (low flow) hydraulic circuit with two way sliding button control	●
High reach demolition arm 5,3 m*	●	Heavy duty demolition under covers	●	LC and NLC undercarriages	○
High reach demolition counterweight	●	Roof window washer/wiper	●	600, 700 mm triple grouser track-shoes	○
ISO 10262 Level II front/top guard (FOPS)	●	One additional (full flow) hydraulic circuit with two way sliding button control	●		
Arm safety valves	●				

\* Hydraulic quick-coupler preparation and automatic greasing system not available with high reach demolition equipment.

● standard equipment  
○ optional equipment

UESS13700 02/2009

Komatsu Europe International NV · Mechelsesteenweg 586 · B-1800 VILVOORDE (BELGIUM)  
Tel: +32-2-255 24 11 · Fax: +32-2-252 19 81 · www.komatsueurope.com

Printed in Europe – This specification sheet may contain attachments and optional equipment that are not available in your area. Please consult your local Komatsu distributor for those items you may require. Materials and specifications are subject to change without notice.