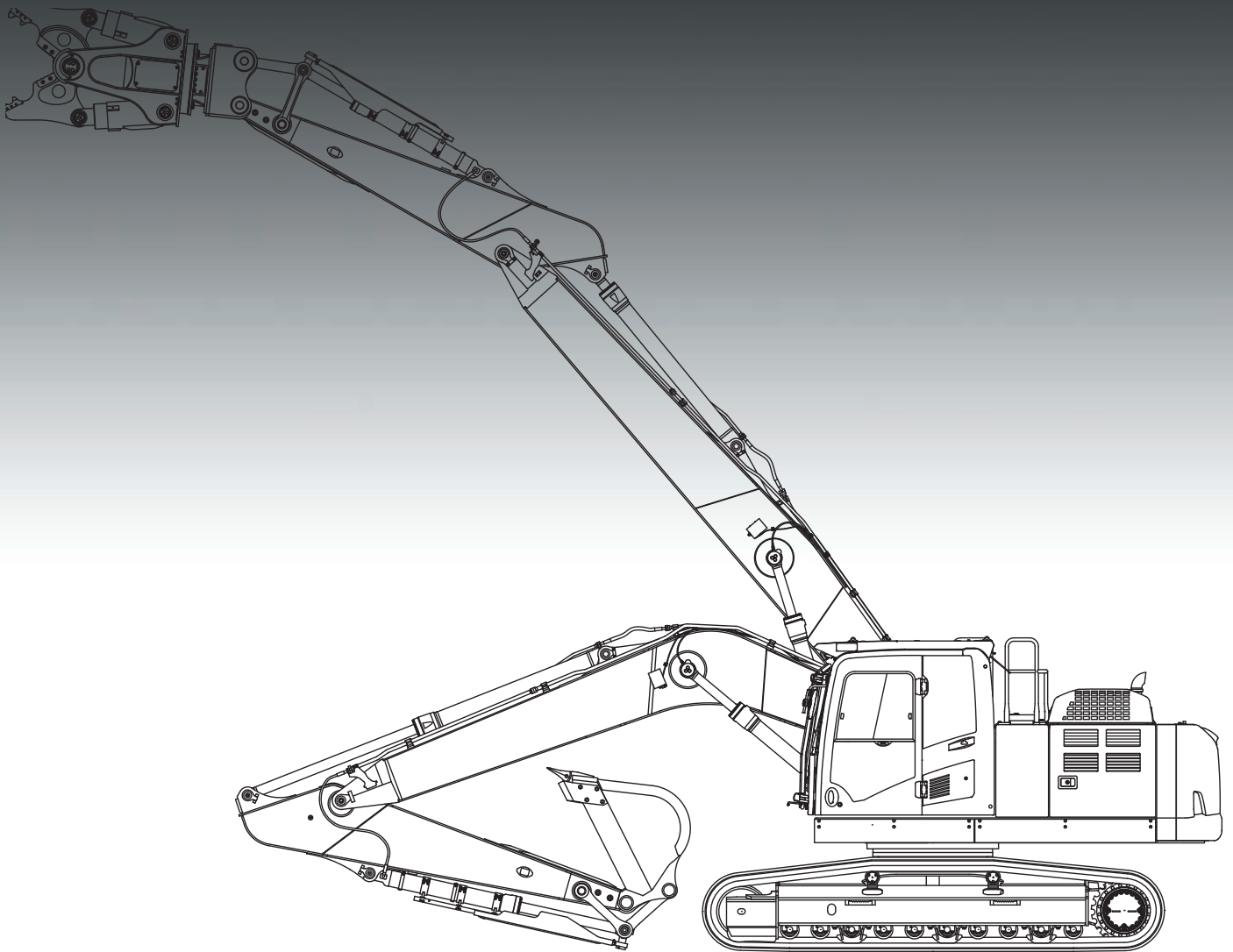


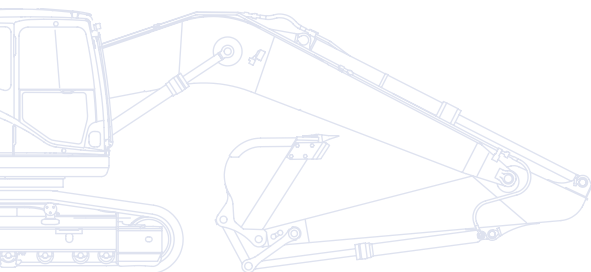
KOMATSU



Demolition Excavators

PC240LC/NLC-10

Mono Boom / Straight Boom



ENGINE POWER
141 kW / 189 HP @ 2.000 rpm

OPERATING WEIGHT
25.230 - 26.340 kg

Walk-Around



Work equipment

- Straight boom or mono boom options are available, with a variety of arm lengths, allowing the machine to be set for most working configurations
- Two-piece boom arrangements upon request
- Two additional hydraulic circuits piped with steel tubing to the end of the arm, suitable for demolition attachments

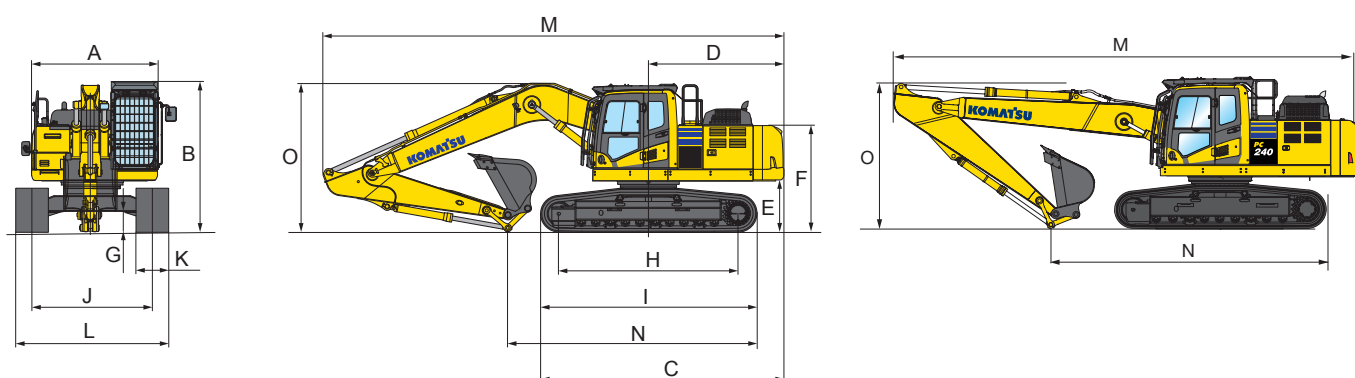
Heavy duty protection

- Heavy duty undercovers (9 mm) fitted to the upper structure offer enhanced resistance to damage from debris on the ground
- Extra heavy duty side protection (15 mm) fitted to each side of the upper structure; bolted on, offering protection from debris on the ground or side impact
- Attachment cylinder guard (optional)
- Reinforced bucket linkage
- Boom lamp protection guard
- Full length track roller guards (optional)
- Additional camera, right side mounted (optional)

Safety equipment

- Special Demolition Safety SpaceCab™ operator cabin (ROPS compliant with ISO 12117-2:2008)
- ISO 10262 Level 2 certified FOPS (Falling Object Protection System)
- Hinged front guard to allow easy access for windscreen cleaning
- Laminated glass roof window with wash wipe system
- Pressurised cabin helps to keep dust out. Climate control fitted as standard
- Joysticks with proportional control button for attachments
- Up to 5 different attachments can be pre set and named (5 breaker settings also available)

Dimensions & Specifications



MACHINE DIMENSIONS

	MONO BOOM		STRAIGHT BOOM	
	PC240LC-10	PC240NLC-10	PC240LC-10	PC240NLC-10
A Overall width of upper structure	2.850 mm	2.850 mm	2.850 mm	2.850 mm
B Overall height of cab (including OPG)	3.265 mm	3.265 mm	3.265 mm	3.265 mm
C Overall length of basic machine	5.255 mm	5.130 mm	5.255 mm	5.130 mm
D Tail length	2.905 mm	2.905 mm	2.905 mm	2.905 mm
Tail swing radius	2.940 mm	2.940 mm	2.940 mm	2.940 mm
E Clearance under counterweight	1.100 mm	1.100 mm	1.100 mm	1.100 mm
F Machine tail height	2.265 mm	2.265 mm	2.265 mm	2.265 mm
G Ground clearance	440 mm	440 mm	440 mm	440 mm
H Tumbler centre distance	3.845 mm	3.655 mm	3.845 mm	3.655 mm
I Track length	4.640 mm	4.450 mm	4.640 mm	4.450 mm
J Track gauge	2.590 mm	2.390 mm	2.590 mm	2.390 mm
K Track shoe width	600, 700 mm	600, 700 mm	600, 700 mm	600, 700 mm
L Overall track width with 600 mm shoe	3.190 mm	2.990 mm	3.190 mm	2.990 mm
Overall track width with 700 mm shoe	3.290 mm	3.090 mm	3.290 mm	3.090 mm

TRANSPORT DIMENSIONS

	MONO BOOM		STRAIGHT BOOM	
	PC240LC-10	PC240NLC-10	PC240LC-10	PC240NLC-10
Arm length	2,5 m	3,0 m	2,5 m	3,0 m
M Transport length	9.960 mm	9.885 mm	10.650 mm	10.615 mm
N Length on ground (transport) PC240LC-10	6.115 mm	5.390 mm	7.525 mm	6.880 mm
Length on ground (transport) PC240NLC-10	6.020 mm	5.260 mm	7.430 mm	6.785 mm
O Overall height (to top of boom)	3.295 mm	3.160 mm	2.810 mm	2.910 mm

OPERATING WEIGHT (APPR.)

PC240LC-10

	MONO BOOM		STRAIGHT BOOM	
	Operating weight	Ground pressure	Operating weight	Ground pressure
Triple grouser shoes				
600 mm	25.830 kg	0,52 kg/cm ²	26.040 kg	0,53 kg/cm ²
700 mm	26.130 kg	0,45 kg/cm ²	26.340 kg	0,46 kg/cm ²

OPERATING WEIGHT (APPR.)

PC240NLC-10

	MONO BOOM		STRAIGHT BOOM	
	Operating weight	Ground pressure	Operating weight	Ground pressure
Triple grouser shoes				
600 mm	25.230 kg	0,52 kg/cm ²	25.440 kg	0,54 kg/cm ²
700 mm	25.530 kg	0,45 kg/cm ²	25.740 kg	0,46 kg/cm ²

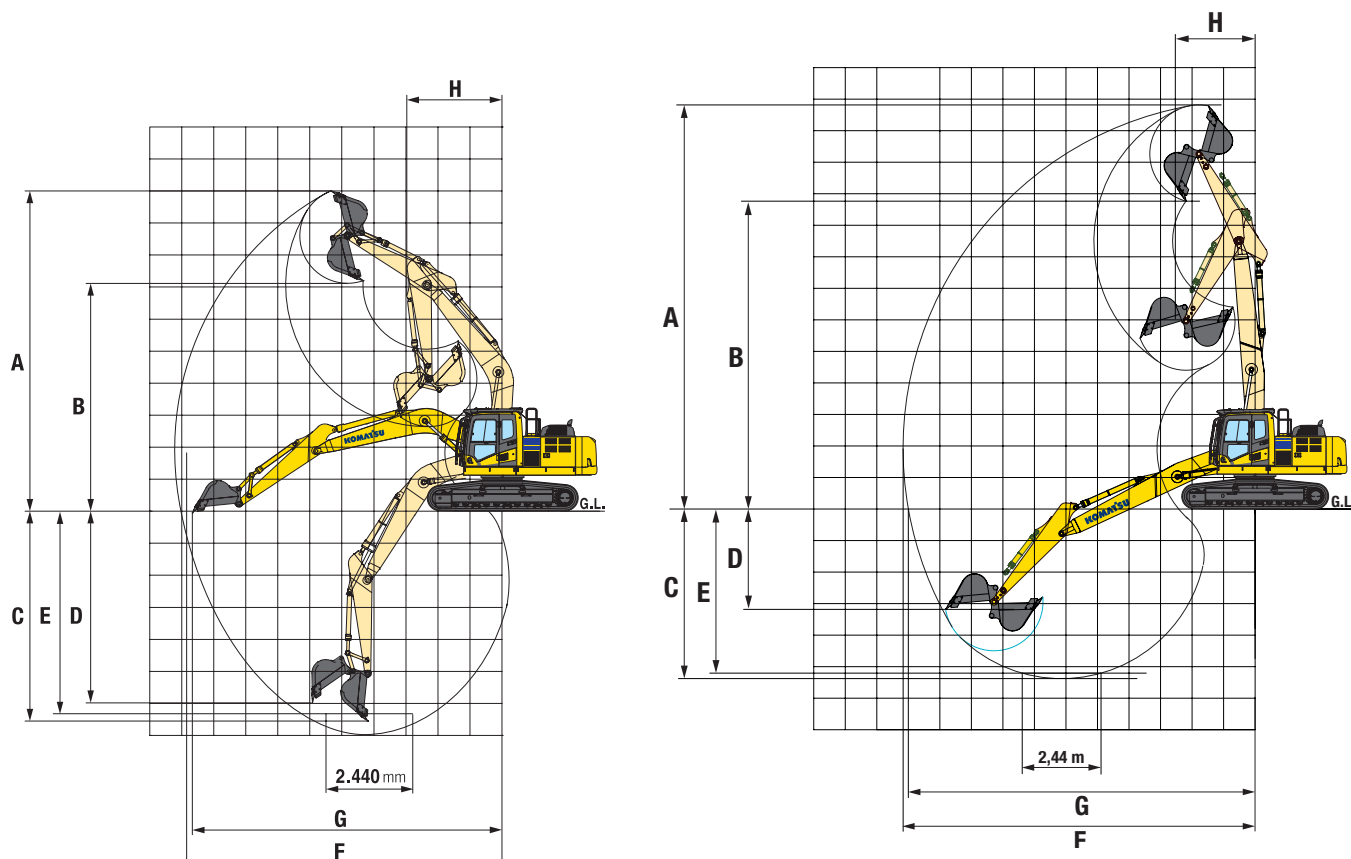
Operating weight, including specified work equipment, 3,0 m arm, 1.070 kg bucket, operator, lubricant, coolant, full fuel tank.

Demolition Excavators

PC240LC/NLC-10

Mono Boom / Straight Boom

WORKING RANGE



PC240LC/NLC-10	MONO BOOM		STRAIGHT BOOM	
	2,5 m	3,0 m	2,5 m	3,0 m
Arm length	2,5 m	3,0 m	2,5 m	3,0 m
A Max. digging height	9.790 mm	10.000 mm	12.345 mm	12.820 mm
B Max. dumping height	6.860 mm	7.035 mm	9.305 mm	9.780 mm
C Max. digging depth	6.320 mm	6.920 mm	4.845 mm	5.390 mm
D Max. vertical wall digging depth	5.130 mm	6.010 mm	4.115 mm	4.750 mm
E Max. digging depth of cut for 2,44 m level	6.100 mm	6.700 mm	4.566 mm	5.223 mm
F Max. digging reach	9.480 mm	10.180 mm	10.660 mm	11.175 mm
G Max. digging reach at ground level	9.670 mm	10.020 mm	10.490 mm	11.010 mm
H Min. swing radius	3.320 mm	3.450 mm	2.300 mm	2.515 mm

Specifications: Engine power at rated engine speed (2.000 rpm): 141 kW/189 HP (ISO 14396). Engine emissions fully complies with EU Stage IIIB exhaust emission regulations. Noise levels: LwA external: 103 dB(A) (2000/14/EC Stage II). LpA operator ear: 70 dB(A) (ISO 6396 dynamic test. Vibration levels (EN 12096:1997): Hand/arm: 2,5 m/s² (uncertainty K = 0,53 m/s²) Body: 0,5 m/s² (uncertainty K = 0,28 m/s²). Contiene gases fluorados de efecto invernadero HFC-134a (indice GWP 1430). Cantidad de gas 0,9 kg, equivalente CO₂ 1,29 t

UESS14903 01/2017

Komatsu Europe International NV · Mechelsesteenweg 586 · B-1800 VILVOORDE (BELGIUM)
Tel: +32-2-255 24 11 · Fax: +32-2-252 19 81 · www.komatsueurope.com

Printed in Europe – This specification sheet may contain attachments and optional equipment that are not available in your area. Please consult your local Komatsu distributor for those items you may require. Materials and specifications are subject to change without notice.