

KOMATSU

Utility

WA
75



WA75-3

WA75-3

WHEEL LOADER

NET HORSEPOWER
42,5 kW 58 PS

OPERATING WEIGHT
4.880 kg

BUCKET CAPACITY
0,8 - 1,25 m³

AT A GLANCE

The new, compact wheel loader WA75-3: is more comfortable, easier to maintain and more efficient in its daily operations. Perfect comfort for the driver and an attractive design based on our experience combined with high performance mean the WA75-3 is a machine enjoying outstanding characteristics. With a hydraulic quick coupler and the comprehensive Komatsu range of attachments, there are hardly any limits to the range of uses to which the vehicle can be put.

Sliding windows fitted as standard and a high-performance (optional) air conditioner ensure an optimum climate in the cab.

Delta boom and wide, full-length front windscreen for an outstanding view of work equipment and tyres. (Page 4)

Simple changing of attachments by means of *hydraulic 4-point quick coupler*. (Page 5)

Maximum flexibility in using the comprehensive range of Komatsu *Original Attachments*. (Page 5)

Limited-slip differentials fitted as standard equipment in both axles and *radial tyres* ensure optimum traction.



WA75-3 WHEEL LOADER

NET HORSEPOWER
42,5 kW 58 PS

OPERATING WEIGHT
4.880 kg

BUCKET CAPACITY
0,8 - 1,25 m³



Simple operation by means of a servo-controlled *multi-function lever*. (Page 4)

Smooth-running, 4-cylinder *Komatsu emissionized engine*. Holding the „Blue Angel“ award on account of its outstanding quietness. (Page 4)

Rounded rear with wide, angled counterweight make for optimum visibility and easy material stock piling.

Hydrostatic transmission for evenly-balanced, high penetration power, and a maintenance-free brakes.

**The new WA75-3:
Simply operated, simply
because it's comfortable.**

WA75-3 Wheel loader



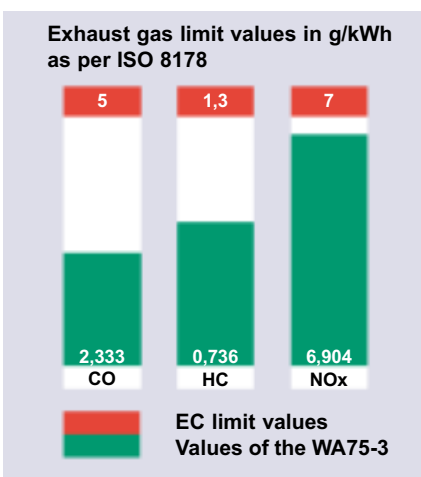
The driver's cab – driver comfort is comparable with a car
Working conditions which are as pleasant as possible for the driver: easily-read, logically arranged gauges and switches, PPC hydraulic system and a multi-function lever all contribute, as do the ergonomically-designed driver's seat and the perfectly-designed fresh air intakes, to maximum driver comfort. Attention to detail, such as the sliding window fitted as standard on the right, completes the driver-friendly picture.



The delta boom – everything is within eyesight
The shape of the boom gives excellent vision of work attachments and tyres. Optimum working conditions, even on complicated jobs, and attachment changes which only take seconds are guaranteed.



Service & maintenance – child's play
Optimum engine accessibility from three sides thanks to the wide opening of the engine-cover. The completely-sealed multiple wet disc brakes operate in an oil-bath and are maintenance free. Automatic central lubrication, available as a special option, reduces daily maintenance to an absolute minimum.



Environmentally friendly – inside and out
Both internal and external noise levels of the engine are among the lowest in this class, and it has been awarded the „Blue Angel Award“ due to its very quiet operation. It goes almost without saying that the 4-cylinder Komatsu emissionized engine is outstanding in fuel economy and smoothness of running, and meets the EC Stage II limit values with plenty to spare.

ATTACHMENTS

The Komatsu compact wheel loader demands attention through its incredible versatility. Whether it is used in structural civil engineering, road construction, agriculture, forestry or the timber industry, in landscaping companies and nurseries or in community services, the right solution is always available for your requirements.

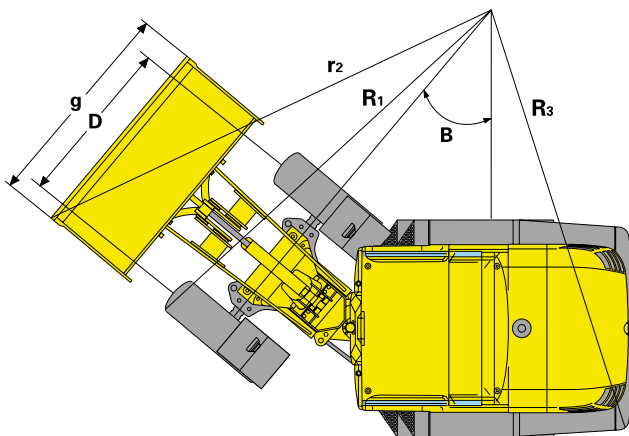
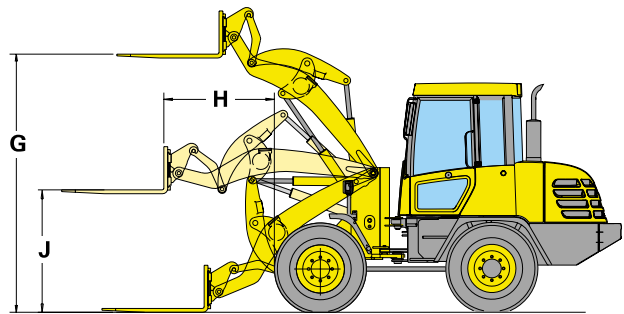
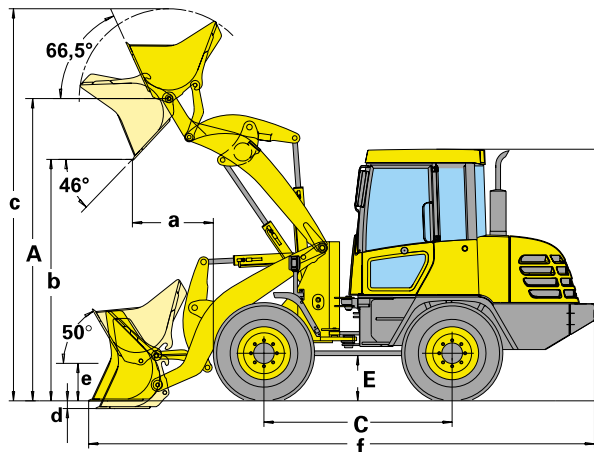
The standard equipment 4-point quick-coupler guarantees the machine's versatility and thus makes possible high-intensity operation. The coupler is also compatible with other brands, allowing these, too, to be used without problems.

Examples from the comprehensive range of original attachments are:

- Earth-moving bucket
- Light material bucket
- High dump bucket
- Mulch grab bucket
- Fork carrier and tines
- Telescopic crane arm
- 4-in-1 bucket
- Side dump bucket
- Skeleton bucket
- Sweeper



DIMENSIONS & WORKING VALUES



Dimensions – Main features

A	Centre hinge pin height	3.195 mm
R1	Turning radius	3.775 mm
R3	Turning radius	3.775 mm
B	Articulation angle	40°
C	Wheelbase	2.000 mm
D	Track width	1.550 mm
E	Ground clearance	450 mm
F	Overall height	2.640 mm

Dimensions – with fork tines

G	Max. stacking height	2.995 mm
H	Max. reach	1.315 mm
J	Height of fork at max. reach	1.410 mm
	Max. tipping load, straight ISO 8313	2.900 kg
	Max. tipping load, articulated	2.500 kg
	Max. payload as per EN 474-3, 80%	2.000 kg
	Max. payload as per EN 474-3, 60%	1.550 kg

(Fork carrier and tines in standard version. When using with fork carrier and tines, use of bolt-on counterweight is recommended)

Working values – use of buckets *

Bucket type		Universal bucket		Lightmaterial bucket		Universal bucket (4-in-1) 0,75	Highdump bucket 1,25
		0,8	0,9	1,0	1,25		
Bucket (contents heaped)	m ³	0,8	0,9	1,0	1,25		
Dumping weight	t/m ³	1,8	1,6	1,4	1,1	1,8	0,9
Bucket weight without teeth	kg	335	380	380	410	660	700
Stat. tipping load, straight	kg	3.750	3.715	3.670	3.620	3.200	2.980
Stat. tipping load, 40° articulated	kg	3.250	3.195	3.140	3.100	2.720	2.530
Max. breakout force	kN	48,6	48,6	43,9	38,0	41,3	24,2
Max. lifting capacity	kN	38,7	38,7	38,6	38,4	37,7	35,6
Operating weight	kg	4.880	4.925	4.925	4.955	5.205	5.245
a Reach at 45°	mm	890	890	915	1.000	930	1.290**
b Dumping height at 45°	mm	2.555	2.555	2.485	2.400	2.440	3.940**
c Height bucket top edge	mm	4.090	4.160	4.100	4.220	4.030	5.140
d Digging depth	mm	105	105	130	130	140	135
e Height bucket transport	mm	370	370	370	330	370	370
f Overall length	mm	5.395	5.370	5.465	5.530	5.515	5.845
g Bucket width	mm	1.950	2.050	2.100	2.100	2.000	2.100
r2 Turning radius over bucket	mm	4.210	4.260	4.325	4.350	4.250	4.650

* All data with 405/70 R18 SPT9 tyres

** at max. dump angle

TECHNICAL DATA



ENGINE

Type	Komatsu 4D 98E
Horsepower	42,5 kW/58 PS (ISO 9249)
at engine speed	2.500 rpm
Torque/engine speed	max. 210 Nm/1.600 rpm
No. of cylinders	4
Bore/stroke	98/110 mm
Displacement	3.318 cc.
Type of combustion	Direct injection
Cooling system	Dual circuit, liquid coolant, thermostat-controlled
Electrical system	12 V
Battery	1 × 12 V, 92 Ah
Alternator	80 A
Air filter type	Dry air filter with pre-filter and safety cartridge



TRANSMISSION

Hydrostatic transmission, capable of gear shifting in all directions under full power.

Gears	
Forwards/reverse	2/2
Travel speeds	
1st gear	0 - 7,5 km/h
2nd gear	0 - 20 km/h
Option	0 - 30 km/h



CHASSIS AND TYRES

System	4-wheel drive
Axles	Planetary rigid axles with automatic limited-slip differential in both axles
Articulation	Articulated/oscillating joint
Articulation angle	+/- 12°
Tyres	405/70 R18 SPT 9 (standard)
	335/80 R20 SPT 9
	12,5 - 20 MPT
	14,5 - 20 MPT
	365/80 R20 SPT 9
	375/75 R20 XM 27 TL, Michelin
	405/70 R20 PG 75 R, Dunlop
	405/70 R20 SPT 9, Dunlop



STEERING SYSTEM

System	Articulated frame steering
Type	Hydrostatic steering (closed center)
Steering angle to either side	40°
Steering pump	Gear pump
Working pressure	175 bar
Minimum turning radius (outer corner of tyre)	3,77 m



BRAKES

Operating brakes	combined inch brake pedal actuates brakes on all four wheels maintenance-free via the hydrostatic drive. Axle-integrated, oil-bath submerged multiple-disc brakes.
Parking brake	Mechanically-operated, oil-bath submerged multiple-disc brake.



HYDRAULIC SYSTEM

System	Closed hydraulic system
Working pressure	205 bar
Circulating capacity of the hydraulic pump	64 l/min
Lifting time	4,9 s
Lowering time	2,6 s
Dumping time	1,0 s



SERVICE REFILL CAPACITIES

Fuel tank	90 l
Engine cooling system	12,25 l
Engine oil	9,4 l
Attachment, steering and motive power hydraulics	95,0 l
Front axle	6,1 l
Rear axle with transmission gears	6,5 l

STANDARD EQUIPMENT

- | | | | |
|---|---|---|---|
| <ul style="list-style-type: none"> • Standard bucket 0,8 m³ (SAE heaped) • Hydraulic 4-point quick coupler • „Return-to-dig“ • 3rd control circuit for attachment hydraulics • Hitch • Wide base tyres series 70 • Quick-check panel • Two-door safety cab, as per DIN/ISO • with roof protection ROPS/FOPS • All-round tinted glass | <ul style="list-style-type: none"> • Sliding side-window, on the right • Heated rear window • Adjustable high-comfort operator seat • Safety belt (EC standard) • Heating • PPC hydraulic system • Multi-function lever for transmission/hydraulics • Working hours meter • Temperature indicator for engine cooling system • Fuel indicator • 2 main lights | <ul style="list-style-type: none"> • 2 each halogen working lights front and rear • 2 turning lights • 2 turning lights, rear <p>General operating certification, in accordance with German Road Traffic Regulations.</p> <p>The WA75-3 is equipped in accordance with the safety regulations of the machinery guidelines, and corresponds in its exhaust gas emission values with</p> | <p>the regulations of the international standard ISO 6393 and EC Stage II regulations.</p> <p>WA75-3: Awarded the Blue Angel on account of quietness in operation: noise values LwA 97 dB(A), LpA 73 dB(A).</p> |
|---|---|---|---|

OPTIONAL EQUIPMENT

- | | | | |
|--|---|---|--|
| <ul style="list-style-type: none"> • ALS Automatic Load Stabiliser • Over-centre valve • 30 km/h version • Air-conditioner • Additional weights front axle (2 × 70 kg) • Additional counterweight rear (100 kg) • Light materials bucket 1,25 m³ • Universal bucket (4-in-1 bucket 0,65 / 0,75 m³) | <ul style="list-style-type: none"> • Stock pile bucket 1,0 m³ • Mulch grab bucket 0,8 m³ • Side dump bucket 0,8 m³ • High dump bucket 1,25 m³ • Skeleton bucket • Fork carrier and tines • Telescopic crane-arm • Sweeper • Electr. actuation 3rd circuit • QC electr. lock | <ul style="list-style-type: none"> • Beacon light • Back-up alarm • Cab air safety system • Exhaust gas particles filter • Air-suspended, heated seat • Radio • Turbo III pre-filter • Electronic anti-theft lock • Battery main switch • Bio-hydraulic oil for hydraulic equipment | <ul style="list-style-type: none"> • Canopy version • Special livery <p>Further features on application.</p> |
|--|---|---|--|

KOMATSU

BUSINESS UNIT WHEEL LOADER

www.komatsu.de