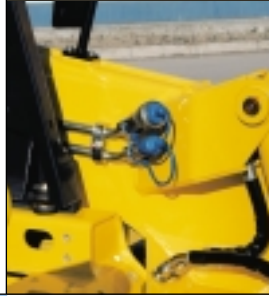


# KOMATSU

*Utility*

**SK**  
**09J-2**



SK09J-2

## SK09J-2

SKID STEER LOADER

**NET POWER**  
SAE J1349

50 kW - 67 HP

**OPERATING WEIGHT**

3.400 kg

**OPERATING CAPACITY**

870 kg

# PERFORMANCE IN COMPLETE SAFETY

The SK09J-2 skid steer loader is the ideal solution when operating capacity, strength and perfect control are required, even in demanding conditions. Thanks to the power and the distribution of weights, the machine responds efficiently whenever greater performance is required, guaranteeing the operator excellent results in complete safety.

## Hydraulic servocontrols

The servocontrols fitted on the machine mean ease of operation, speed, naturalness of movements and incomparable productivity. Qualities that make the SK09J-2 unequalled in its class.

## Engine

The KOMATSU engine guarantees high power and low consumption, and above all low exhaust emissions, low noise, reduced vibrations, excellent reliability and efficiency, lightness, compactness and easy access for all routine maintenance.

## Hydraulic System

The closed-circuit hydraulic system guarantees progressiveness, precision and smoothness, in all movements.





## Safety

The SK09J-2 ensures excellent visibility in all directions: the operator is always aware of the position of the machine in the surrounding area, above all when working in restricted spaces. A system of sensors on the safety bars and the seat prevents all movements if unauthorised manoeuvres are attempted.

## Super Flow

The SK09J-2 is also available in the Super Flow version. It maintains all the characteristics of the standard version and, thanks to the increased oil flow and pressure, it offers more hydraulic power and allows a wider range of accessories, to be installed. This increases its productivity, versatility and application range, making it a perfect tool-holder.



## Maintenance

Routine maintenance and checks can be performed by simply opening the rear door. For special service operations, the tilting cab offers complete access to the transmission and the main components in the hydraulic system.



## Versatility

The characteristics of the machine permit the use of a vast range of accessories, for various different sectors. Everyday use on the farm, the building site, in industrial environments or ports, the KOMATSU skid steer loader replaces manual labour with incomparable versatility.



### BACKHOE E35

#### TECHNICAL SPECIFICATIONS

Mass (ISO 6016) .....1.000 kg  
 Breakout force (ISO 6015) .....3.520 da N (3.590 kg)  
 Total rotation .....180°

#### FITTING BUCKETS

WIDTH mm	CAPACITY m <sup>3</sup> (ISO 7451)
300	0,027
400	0,038
500	0,049
*600	0,052*

\* FOR LIGHT MATERIAL (max. 1,5 t/m<sup>3</sup>)

# SPECIFICATIONS



## ENGINE

Make .....Komatsu 4D98E-1FD low emission  
 Displacement .....3.318 cm<sup>3</sup>  
 Number of cylinders .....4  
 Max power .....52 kW (70,8 HP)  
 Rated power:  
 (SAE J 1349) .....50 kW (67 HP) a 2.300 rpm  
 (DIN 6271) .....51 kW (69,3 PS) a 2.300 rpm  
 (80/1269/EC) .....50 kW (67 HP) a 2.300 rpm  
 Max torque (80/1269/EC) .....245 Nm a 1.600 rpm  
 Cooling .....water



## OPERATIONAL MASS

Operational mass with standard bucket,  
 fully serviced + 80 kg operator (ISO 6016) .....3.400 kg  
 Max mass .....3.600 kg



## HYDRAULIC SYSTEM

Pump .....gear  
 Max flow .....73 l/min  
 Control valve .....3 elements  
 fully servo-controlled  
 Max pressure .....17,0 MPa (170 bar)  
 Oil cooler.  
 Front equipment hydraulic system "SUPER FLOW" (Optional):  
 Max flow .....115 l/min  
 Max pressure .....23,0 Mpa (230 bar)



## ELECTRIC SYSTEM

Rated voltage .....12 V  
 Battery .....155 Ah  
 Alternator .....60 A



## CONTROLS

Proportional Servo-controls (PPC). The left hand lever controls the machine movements, the right one controls the working equipment. The PPC pedal controls the auxiliary circuit for attachments. A safety system neutralises all operations when the safety bars are risen or the operator is not seated.



## TRANSMISSION

Type .....hydrostatic  
 Pumps .....2 x variable displacement  
 Hydraulic motors mounted on rear wheels. Final transmission with "Heavy Duty" type roller chains immersed in oil bath are always connected with the four driving wheels.  
 Speeds: - working .....13 km/h  
 - travel .....8 km/h  
 Traction force .....3.000 kg



## TYRES

Standard .....12 x 16.5  
 Optional .....12 x 16.5 (Airboss)



## REFILLS

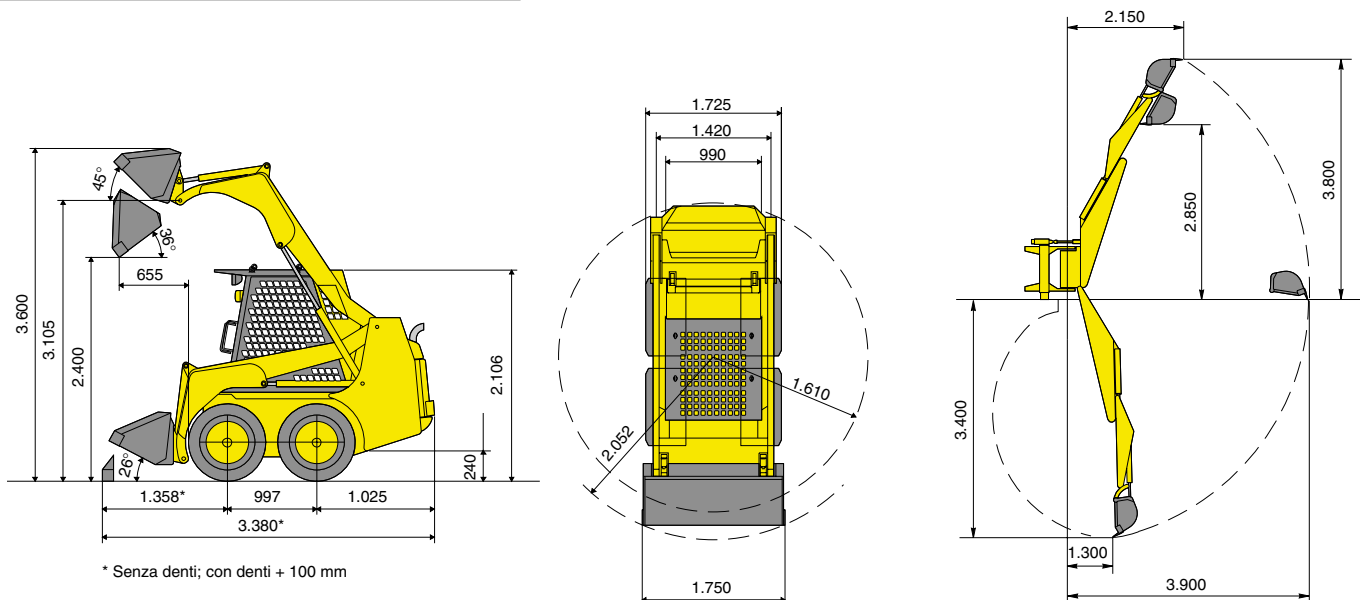
Hydraulic oil .....50 l  
 Fuel tank .....80 l  
 Transmission (carter) .....18 + 18 l  
 Engine oil .....9 l



## LOADER

Operating capacity (ISO 5998) .....850 daN (870 kg)  
 Tipping load (ISO 8313) .....1.700 daN (1.740 kg)  
 Standard bucket capacity (ISO 7546) .....0,45 m<sup>3</sup>  
 Bucket breakout force (ISO 8313) .....2.400 daN (2.450 kg)  
 Lifting capacity at max height (ISO8313) .....1.648 daN (1.680 kg)  
 Operating capacity with pallet forks .....748 daN (763 kg)  
 Max lifting height with forks .....2.835 mm  
 Max reach with forks .....2.310 mm

# DIMENSIONS



# SK09J-2 SKID STEER LOADER

## STANDARD EQUIPMENT

- |   |  |  |
|---|--|--|
| <ul style="list-style-type: none"> <li>• ROPS/FOPS 2 tilting cab</li> <li>• Adjustable seat with safety belt</li> <li>• Safety bar and “operator-on-board” sensor</li> <li>• Instrument panel including:                             <ul style="list-style-type: none"> <li>- hour meter</li> <li>- generator pilot light</li> <li>- oil level</li> </ul> </li> </ul> | <ul style="list-style-type: none"> <li>- fuel level indicator</li> <li>- air filter clogging warning light</li> <li>- hydraulic oil filter clogging warning light</li> <li>- engine water thermometer</li> <li>- safety warning lights</li> <li>• Hydraulic kit (3rd element)</li> <li>• Standard tyres 12 x 16.5</li> </ul> | <ul style="list-style-type: none"> <li>• 1.750 mm bucket with teeth</li> <li>• Lifting hooks</li> <li>• Parking brake</li> <li>• Horn</li> <li>• Self-levelling bucket</li> <li>• Pedal accelerator</li> <li>• Quick hitch for attachments KOMATSU type</li> </ul> |
|---|--|--|

## OPTIONAL EQUIPMENT

- |   |   |  |
|---|---|--|
| <ul style="list-style-type: none"> <li>• Floating</li> <li>• SUPER FLOW version</li> <li>• Rotating beacon</li> <li>• 2 rear and 1 front working lights</li> <li>• Road homologation</li> <li>• Rear view mirror (right)</li> <li>• Narrow tyres 7.0 x 50-16</li> <li>• Airboss tyres 12 x 16.5</li> <li>• De-Luxe suspension seat</li> <li>• Side windows</li> <li>• Closed cab with glass sides, door (with windshield wiper) and heat</li> </ul> | <ul style="list-style-type: none"> <li>• Rear counterweight 80 kg</li> <li>• Safety valve on loader</li> <li>• Catalytic muffler</li> <li>• Biodegradable oil</li> <li>• Attachments:                             <ul style="list-style-type: none"> <li>- 1.600 mm narrow bucket with teeth</li> <li>- 1.900 mm large capacity bucket with teeth</li> <li>- 4x1 bucket with teeth</li> <li>- “heavy duty” bucket with teeth</li> </ul> </li> <li>- cold planer</li> <li>- forks</li> </ul> | <ul style="list-style-type: none"> <li>- excavator</li> <li>- hydraulic stabilisers</li> <li>- auger</li> <li>- hand hammer</li> </ul> |
|---|---|--|

# KOMATSU

**Komatsu Utility Europe**

Head Office  
 via Atheste 4  
 35042 Este (Padova) - Italy  
 Tel. +39 0429 616111  
 Fax +39 0429 601000  
[www.komatsueurope.com](http://www.komatsueurope.com)  
[utility@komatsu.it](mailto:utility@komatsu.it)

