

WHEELED EXCAVATOR SERIES PW150ES-6

KOMATSU



The machine shown may vary according to territory specifications

active

Designed and manufactured in Europe, for European preferences and needs, the (PW150ES-6) delivers the ultimate balance of productivity, reliability, and operator comfort, Komatsu's on-board, patented HydraulMind hydraulic system assists every operation with versatile machine performance criteria that's always perfectly matched to each task.

HYDRAULIC EXCAVATOR **PW150ES-6**

FLYWHEEL HORSEPOWER: 80 KW (107 HP / 109 PS) ISO 9249

BUCKET CAPACITIES: UP TO 1.14 m³ SAE

WEIGHT RANGE: UP TO 16,900 kg

POWER-S-6





Wheeled excavators need to be flexible, easy to use, and capable of travelling quickly and safely. From the sophisticated hydraulics of HydrauMind to the performance of the transmission, the PW150ES-6 meets these requirements as one of the most advanced wheeled-excavators available today.

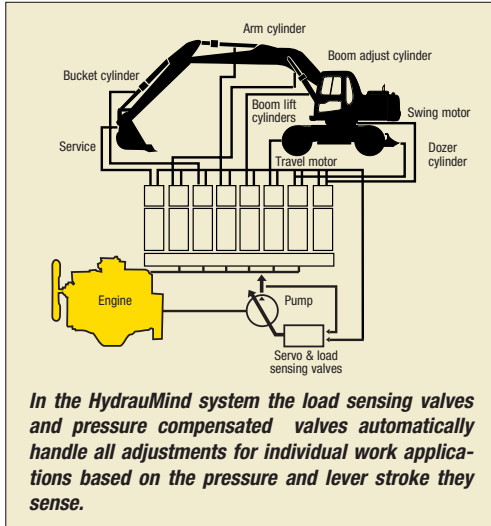
Contents

- 5 What is HydrauMind
- 6 Flexibility
- 8 Easy operation
- 10 Comfort and safety
- 12 Serviceability
- 13 Specifications
- 14 Working ranges
- 17 Dimensions
- 19 Lifting capacities
- 22 Component dimensions
- 24 Standard and optional equipment

HYDRAUMIND

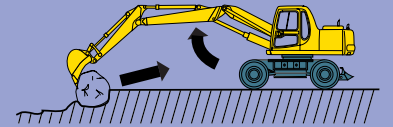


What is HYDRAUMIND?

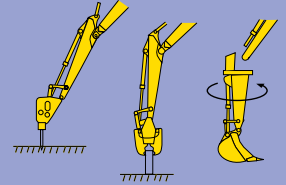


The PW150ES-6 is equipped with HydraMind, Komatsu's unique hydraulic system

HydraMind is one of the most sophisticated hydraulic systems currently available, and is unique to Komatsu. Komatsu hydraulics technology is truly world-class, with over 200 patents pending for HydraMind.



Working through soft rock or pulling up boulders is easy because the system precisely controls boom raise, preventing the cutting edge from slipping.



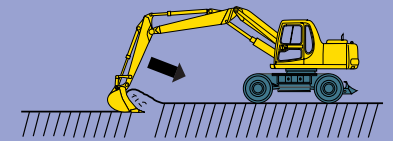
The modular design concept of HydraMind makes it easy to add additional hydraulic circuits.

Benefits of the HYDRAUMIND

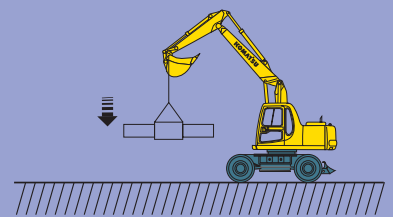
Power, versatility, manoeuvrability, controllability-you name it. Never has there been an excavator so easy to operate, so natural, so intuitive, so responsive.

For example, when digging and the ground condition changes... you don't have to think about changing lever strokes because HYDRAUMIND - instantly, silently and automatically sends just the right amount of oil to the actuators, at just the right pressure to accommodate the change.

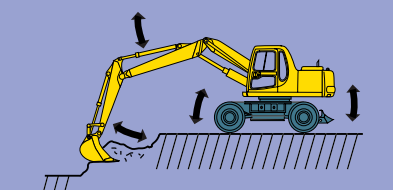
When you move boom, arm and bucket at the same time... all the equipment works naturally with the optimum combination of speed, and power as if it was a human hand.



Fully-loading buckets is easy, because during simultaneous operations the work equipment can move slowly under maximum power.



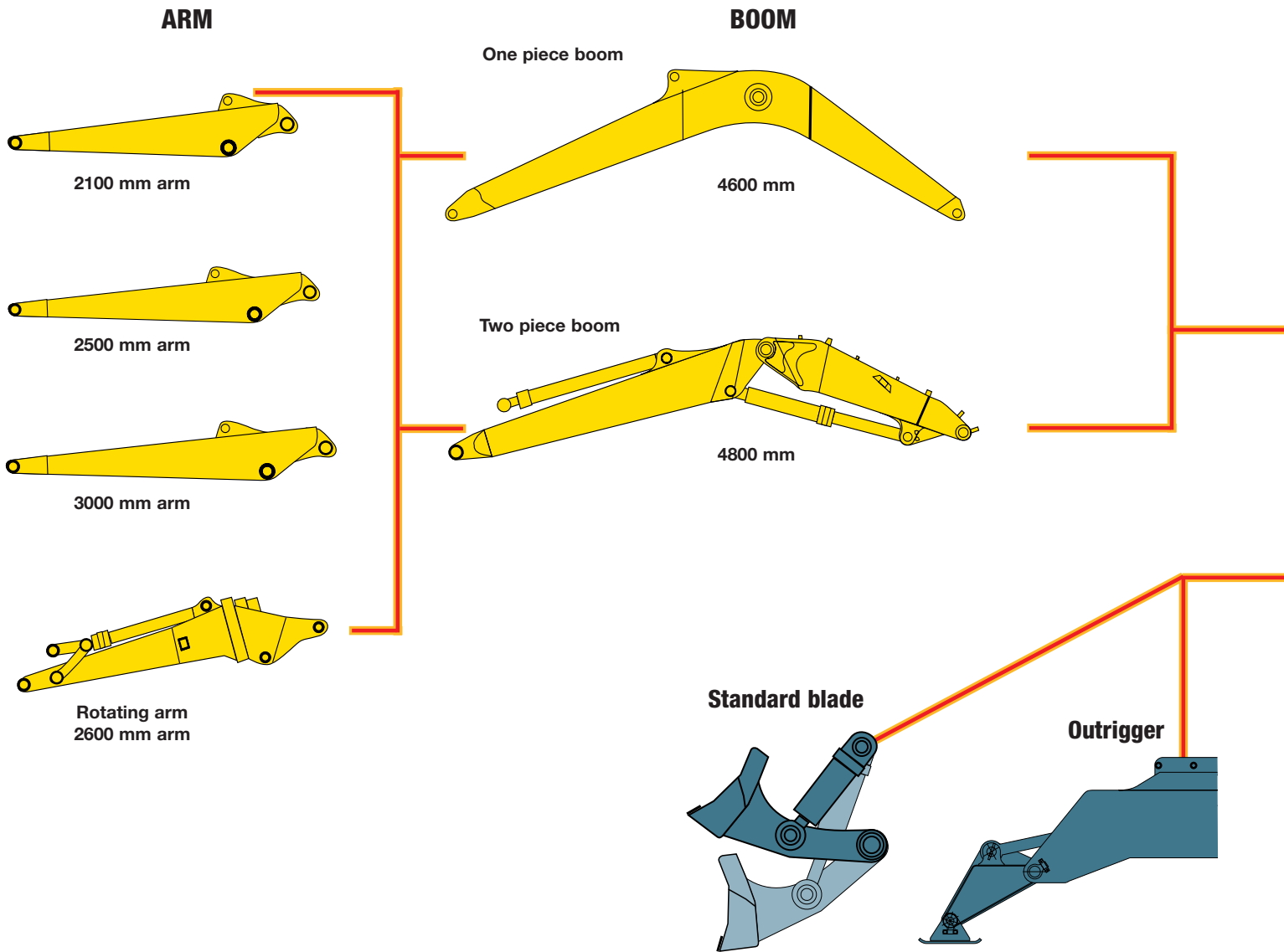
Fine-controlling is easy because the system keeps work equipment speed at a steady constant no matter what size the load.



Chassis-shake is reduced during simultaneous operations because the work load causes no change in the work equipment speed.



FLEXIBILITY



Additional hydraulic circuits

A 2-way additional hydraulic circuit, electrically controlled from the wrist control levers, is fitted as standard.

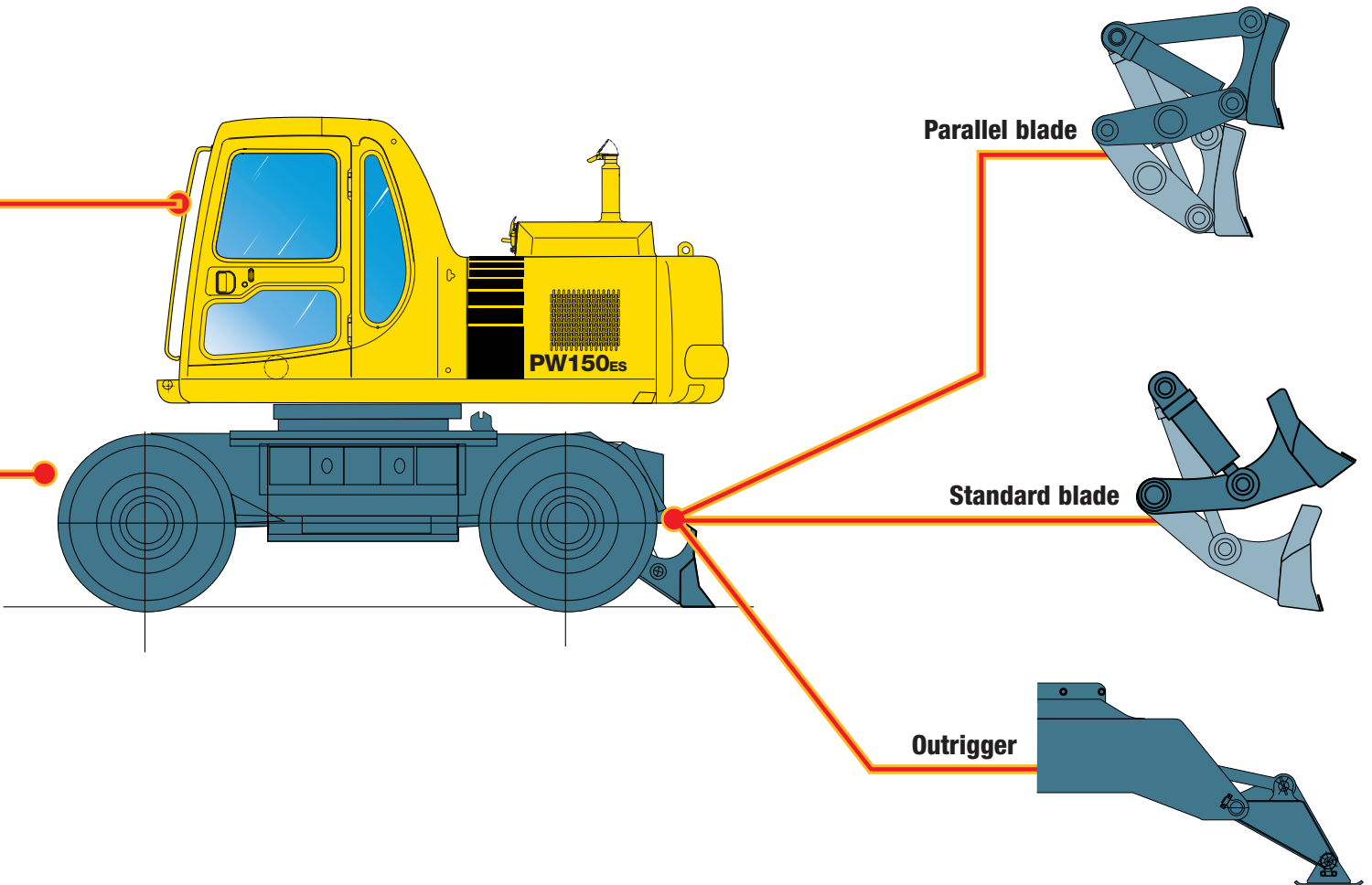


Outriggers

Independently controlled outriggers are optionally available on both the front and rear of the machine. The cylinder protections are standard on the outriggers.



The PW150ES-6 can be specified with an enormous range of work-equipment and undercarriage attachments to meet the needs of almost any application.



Toolbox

Tough, secure tool boxes, integrated in the mud guards are fitted on both sides of the undercarriage. An optional tool rack is available for both tool boxes.



Dozer blade

A radial blade is available with standard cylinder protectors for both the front and rear of the machine. A parallel blade is also available as an option but only for the rear of the machine.



EASY OPERATION

Working Mode Selection

Five working modes are designed to deliver optimal overall machine performance for heavy-duty, general, finishing, lifting and breaker operations. When selected, the mode governs the most efficient combination of engine speed, pump speed and system pressure for the task.

The G/O mode has proven to be exceptional as a general running mode, delivering substantial savings in fuel, based on a measure of tonnes excavated/litre of fuel.

Working Mode	Application	Advantage
H/O	for heavy operations such as hard digging and loading	<ul style="list-style-type: none"> • Maximum production and power • Fast cycle times • Power Max/Swift Slow Down modes available
G/O	for general operations with exceptional fuel economy	<ul style="list-style-type: none"> • Good cycle times • Exceptional fuel economy • Power Max/Swift Slow Down modes available
F/O	for finishing operations that require fine control with task-matched work equipment speeds	<ul style="list-style-type: none"> • Smooth finishing capability • Arm at half-speed
L/O	for precise, powerful lifting operations	<ul style="list-style-type: none"> • Increased, continuous relief pressure • Reduced speed • Fine precision control
B/O	for powerful breaker operations	<ul style="list-style-type: none"> • Optimal pressure and flow • Optimum engine rpms

Power Max/Swift Slow Down

Power Max can be selected by depressing a joystick button for an instant burst of power to help break through tough digging situations.

Swift Slow Down joystick activated to diminish all work equipment speeds to half, allowing finishing and delicate operations to be carried out with ultimate precision.

Selection	Application	Result
Power up	Tough Digging Operations	Increase implement force by 9% for 8.5 seconds
Speed down	Delicate Operations	Speed is reduced by 1/2. Increase implement force by 9% as long as joystick button is pressed.



The new “Active” logo with the green “+” confirms that the machine has all of the popular Komatsu “Active” attributes, plus a generous new offering of on-board operator comforts for a better, more productive work environment.

active

As well as operating the standard work equipment movements, the RH wrist control lever is also used to operate the undercarriage attachments. When used in conjunction with the selection switch on the control panel, full independent control of outriggers and dozer blade is immediately available. This feature, together with the automatic axle lock, enables the machine to be moved, stabilised and operated extremely quickly.

Clamshell / Breaker control

Clockwise clamshell rotation. Also used for breaker operation when B.O. mode is selected.

Clamshell control

Anti-clock wise clamshell rotation.



Undercarriage attachment control

After a single touch, the lever can be used to precisely operate the selected undercarriage attachment.

Boom control

After operating the undercarriage attachments, a single touch reverts the lever into standard boom operation.

From the consistent weighting of the steering to the predictable and precise operation of the travel and brake pedals, the operator will always feel in complete control during travelling.

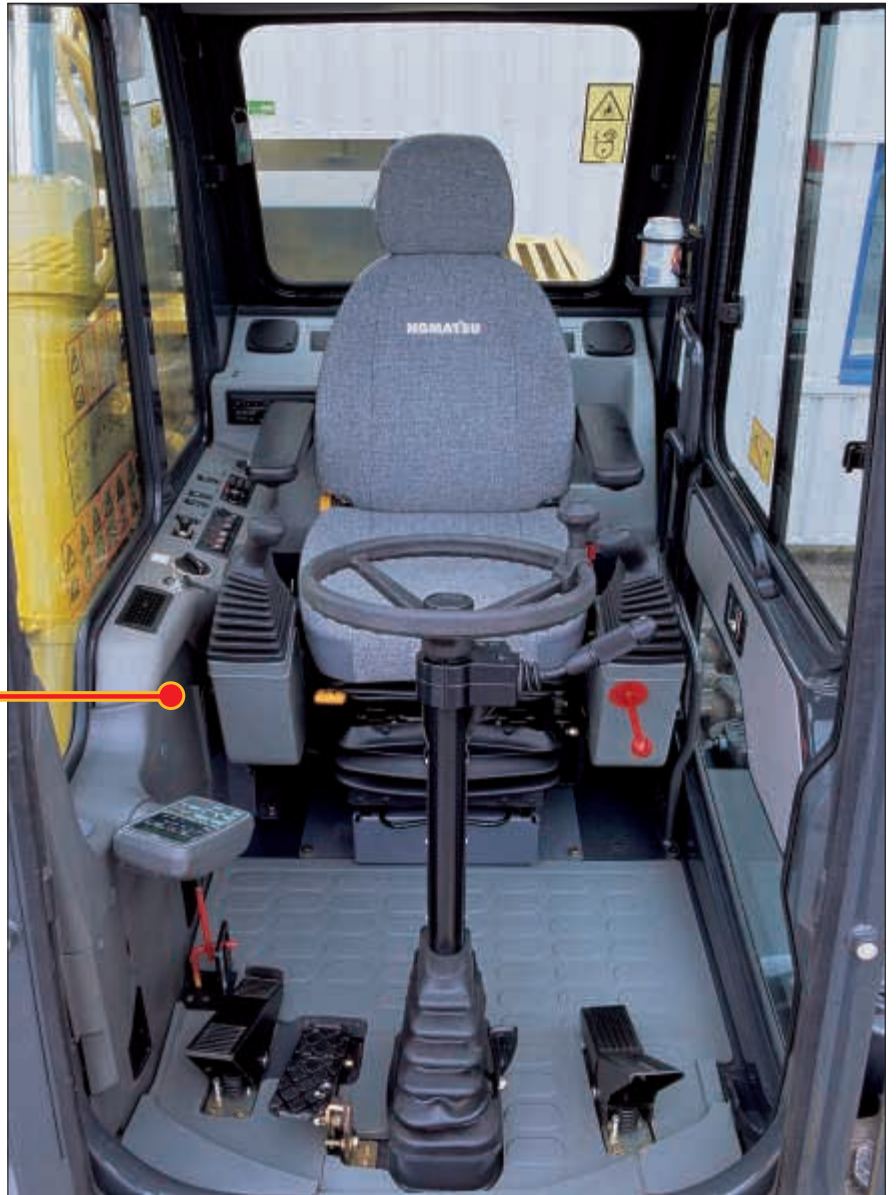


COMFORT AND SAFETY

All sources of operator fatigue have been carefully considered during the design process. The result is a cab offering unparalleled space and ergonomics, combined with exceptionally low vibration and noise.

Outstanding space and comfort

The cab offers unparalleled space for the operator, with generous leg and headroom as well as ample space to store personal belongings behind the seat. The multi-adjustable seat and controls can be set to create the ideal individual working and driving positions for any operator.



Safe and easy cab access

Entering the cab could not have been made easier; wide steps are perfectly positioned in relation to the large handrails on both sides of the cab door. The tilting steering column and lifting wrist control console further aid access, and once seated the wheel can be firmly locked into any position.

Ergonomic controls

All controls, from the light action wrist control levers to the adjustable monitor panel, have been designed with operator ergonomics in mind. Minor controls are easily visible and operated on the inclined control panel.



Superb visibility

Excellent all-round visibility is provided by large panoramic windows and a wide opening roof hatch. Front visibility is further improved by the use of the Komatsu patented wiper system. When not in use the wiper parks on the cab frame itself with no contact with the front window. As well as giving excellent visibility, this system avoids the need to disconnect the wiper before lifting the front window.

The standard new plexiglas roof with sun visor gives the operator a better view of overhead obstacles and machine operations. It also allows more natural light to illuminate the cab's interior.

Flexible axle locking

The oscillating front axle has 3 operating modes, which can be selected from the right hand control panel:

Free

The axle remains free during all operations.

Automatic

The axle remains locked at rest and is automatically released when the travel pedal is depressed, providing quick, safe site operation.

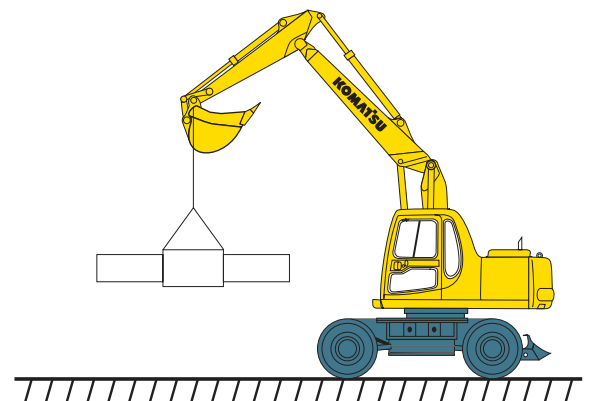
Locked

The axle is permanently locked allowing loads to be safely carried during low-speed travel.



Safe and precise lifting

The machine is equipped with boom safety valves and overload caution as standard. This, combined with the control of HydraMind and the power of the lifting mode, gives incredibly safe and precise lifting performance.



SERVICEABILITY

Rapid and effective servicing and diagnostics are essential for machine availability and reduced servicing costs.

Komatsu service support

Full service support is available through the Komatsu distributor network, backed-up by excellent parts availability from the Komatsu European parts distribution centre.



Self-diagnostics

The monitor panel incorporates a sophisticated diagnostic system. If a serious fault develops the operator is warned immediately, whereas more minor problems are stored in the memory to be checked by service staff later. The memory can be extremely useful for service staff to diagnose intermittent problems. Diagnosis is further assisted by using the facility to display the operating condition of the machine, for example engine speed and pump pressures.

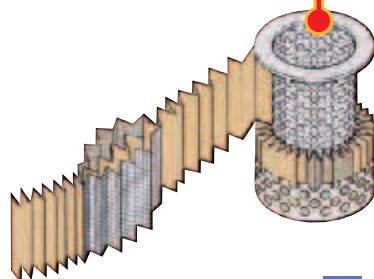


Accessible service locations

The operator and service staff can safely climb onto the machine using the large handrails and access all service locations easily through the wide opening doors and hoods. Service details include centralised greasing points and full guarding of the turbo-charger, fan and ancillary drive belts.

Extended hydraulic oil change intervals

The introduction of a new hybrid filter has extended the filter change interval to 500 hours and the oil itself now only needs to be replaced every 5000 hours. To ensure that these new intervals are followed, a new oil-change indicator function has been incorporated into the monitor panel. This warns the operator when a pre-set number of operating hours has elapsed and displays the telephone number of the nearest Komatsu service centre.



ENGINE

Type 4 cylinder, direct injection diesel, turbo-charged and air to air intercooled

Model Komatsu SAA4D102-E2

Power
ISO 9249 (Net) 80 kW (109 PS / 107 HP) at 2300 rpm

Bore x stroke 102 mm x 120 mm

Piston displacement 3.92 ℓ

ELECTRICAL SYSTEM

Alternator 24 Volt 45 ampere

Batteries 2 x 12 Volt – 95 AH

Starter motor 24 Volt – 5.5 kW

HYDRAULIC SYSTEM

Type HydraulMind. Closed-centre system with load sensing and pressure compensation valves

Additional circuits Additional double-acting circuit fitted as standard. Depending on specification upto 2 additional circuits can be installed

Main pump Variable displacement piston pump supplying boom, arm, bucket, swing and travel circuits

Maximum pump flow 299 ℓ/min

Maximum pressures

Standard 325 kg/cm²

Power Max 355 kg/cm²

Pilot circuit 33 kg/cm²

STEERING SYSTEM

Type Hydraulically supplied from a separate gear pump and controlled through an orbitrol valve

Maximum pressure 150 kg/cm²

Minimum turning radius 7200 mm (to centre of outer wheel)

SWING SYSTEM

Type Axial piston motor driving through planetary double reduction gearbox

Swing lock Electrically actuated wet multi-disc brake integrated into swing drive. An additional mechanical pin can be engaged from inside the operator cab

Swing speed 0 to 12 rpm

Maximum pressure 300 kg/cm²

ENVIRONMENT

Noise levels

LWA External noise 99 dB(A) (95/27/EC - dynamic value)

LPA Operator ear noise 79 dB(A) (ISO 6396 -dynamic value)

Blue angel certified

Meets EC stage II exhaust emission regulations

BRAKE SYSTEM

Type Dual circuit hydraulic braking system supplied from a separate gear pump

Service brakes Pedal actuated wet multi-disc brakes integrated into axle hubs
Service brake pressure = 60 kg/cm²

Parking brake Electrically actuated wet multi-disc “pressure off” brake integrated into transmission

Maximum pressure 150 kg/cm²

SERVICE / REFILL CAPACITIES

Fuel tank 250 ℓ

Radiator 20 ℓ

Engine 16 ℓ

Swing drive 4 ℓ

Hydraulic tank 135 ℓ

Transmission/clutch 1.1 ℓ / 0.5 ℓ

Front differential 15 ℓ

Rear differential 20 ℓ

Front axle hub 2.5 ℓ

Rear axle hub 2.7 ℓ

Swing pinion grease amount 8 ℓ

TRANSMISSION

Type Fully automatic transmission with permanent 4 wheel drive

Travel motors 2 variable displacement axial piston motors

Maximum pressure 355 kg/cm²

Travel modes 3 travel modes:

Hi mode 0 to 30 km/h

Mi mode 0 to 10 km/h

Lo mode 0 to 3.5 km/h

A maximum speed restriction of 20 km/h is available as an option

Maximum tractive effort .. 7,300 kg (in medium and high mode) 20 km/h
8,400 kg (in medium and high mode) 30 km/h
Optional 8,400 kg (in medium and high mode) 20 km/h

Axle oscillation 7° Oscillation. Lockable in any position from the operator cab

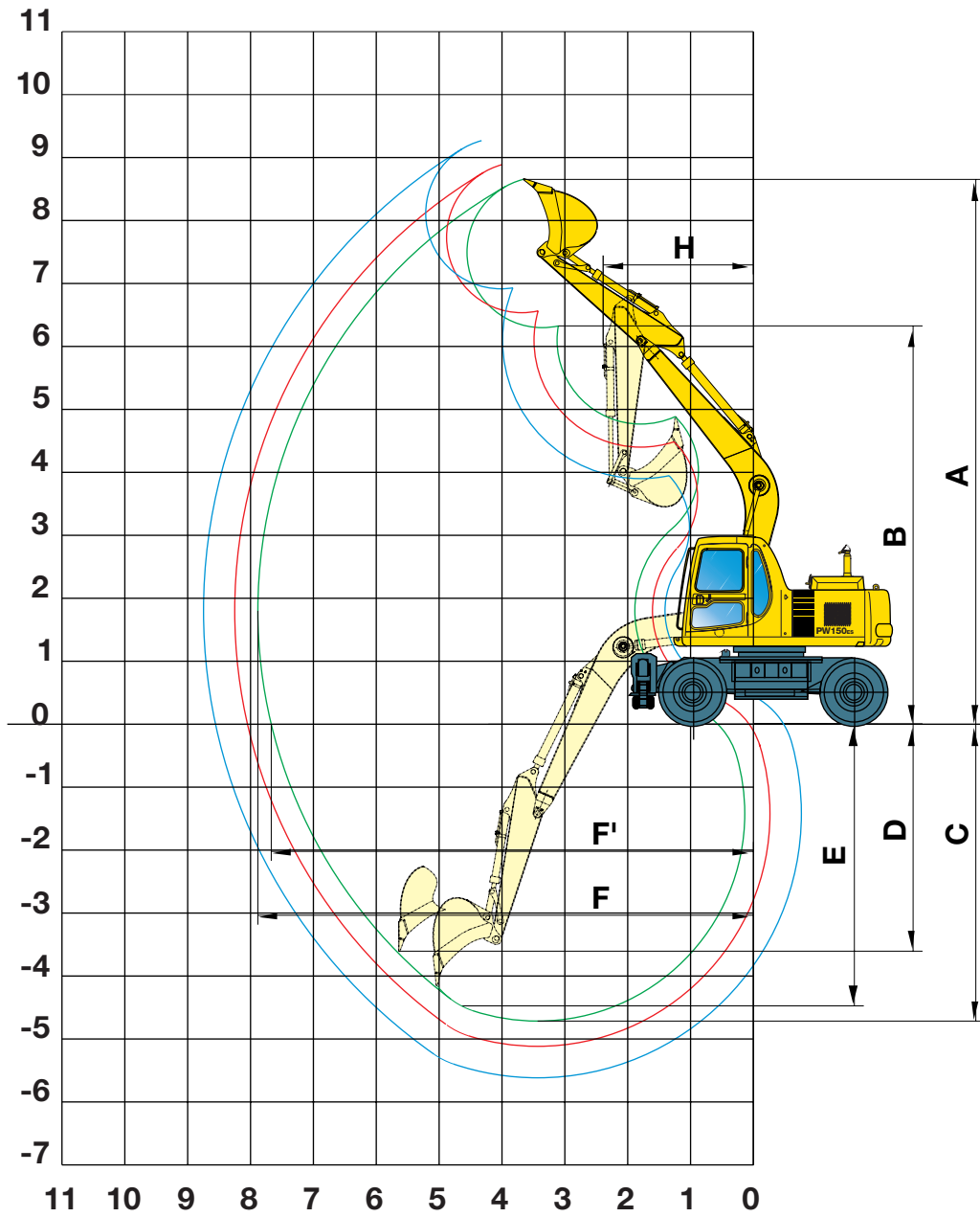
OPERATING WEIGHT*

Arm length 2.5 m

Rotating arm length 2.6 m

Undercarriage type	Operating weight	Operating weight	Operating weight
	2-piece boom	1-piece boom	rotating arm/2PB
Rear blade	14480 kg	14150 kg	–
Rear outrigger	14850 kg	14520 kg	–
Four outrigger	15670 kg	15340 kg	16490 kg
Front outrigger + blade	15300 kg	14970 kg	16120 kg

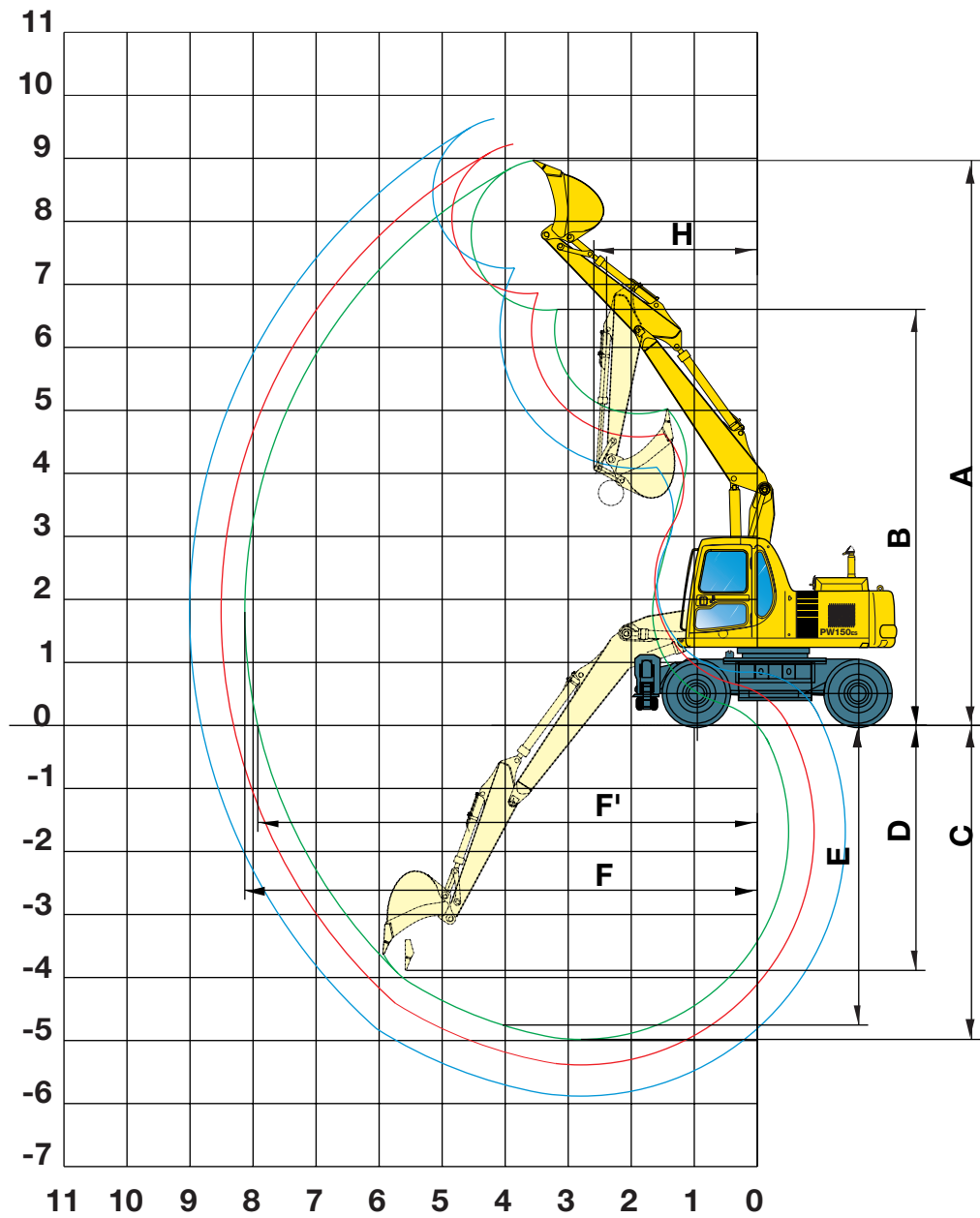
* Operating weight without bucket.



Note: In all cases bucket radius is 1207 mm from pivot to point of tooth.

ONE-PIECE BOOM

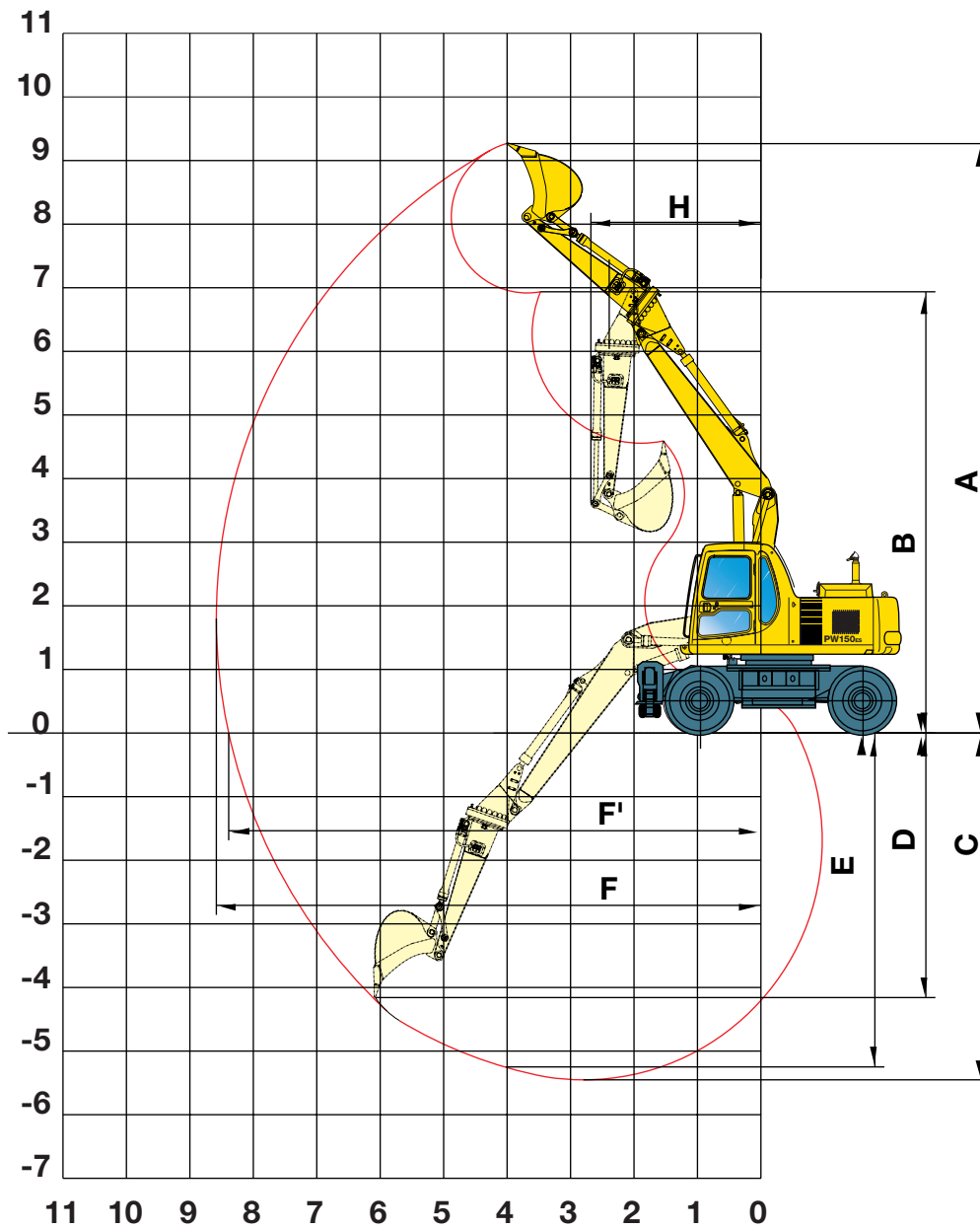
	2100 mm	2500 mm	3000 mm
Arm length	2100 mm	2500 mm	3000 mm
A Max. digging height	8660 mm	8890 mm	9270 mm
B Max. dumping height	6330 mm	6560 mm	6930 mm
C Max. digging depth	4720 mm	5120 mm	5620 mm
D Max. vertical wall digging depth	3610 mm	3965 mm	4445 mm
E Max. digging depth of cut for 8° level	4480 mm	4900 mm	5430 mm
F Max. digging reach	7890 mm	8250 mm	8750 mm
F' Max. digging reach at ground level	7670 mm	8050 mm	8560 mm
H Min. swing radius	2390 mm	2400 mm	2470 mm



Note: In all cases bucket radius is 1207 mm from pivot to point of tooth.

TWO-PIECE BOOM

	2100 mm	2500 mm	3000 mm
Arm length	2100 mm	2500 mm	3000 mm
A Max. digging height	8965 mm	9225 mm	9630 mm
B Max. dumping height	6605 mm	6865 mm	7260 mm
C Max. digging depth	4980 mm	5390 mm	5880 mm
D Max. vertical wall digging depth	3886 mm	4265 mm	4725 mm
E Max. digging depth of cut for 8° level	4755 mm	5180 mm	5700 mm
F Max. digging reach	8130 mm	8510 mm	9010 mm
F' Max. digging reach at ground level	7925 mm	8310 mm	8820 mm
H Min. swing radius	2595 mm	2640 mm	2820 mm



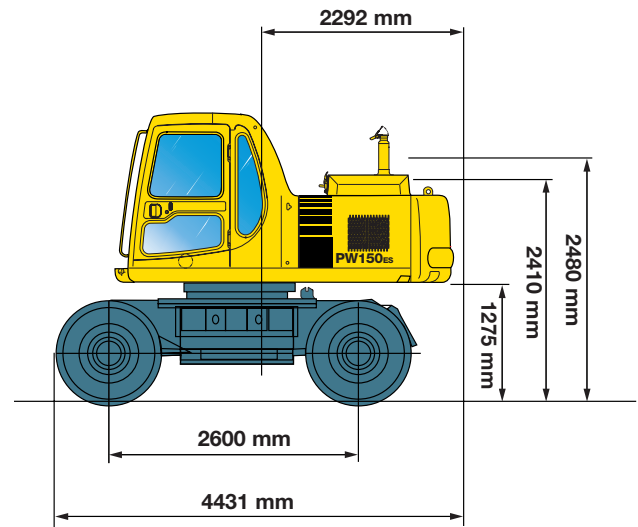
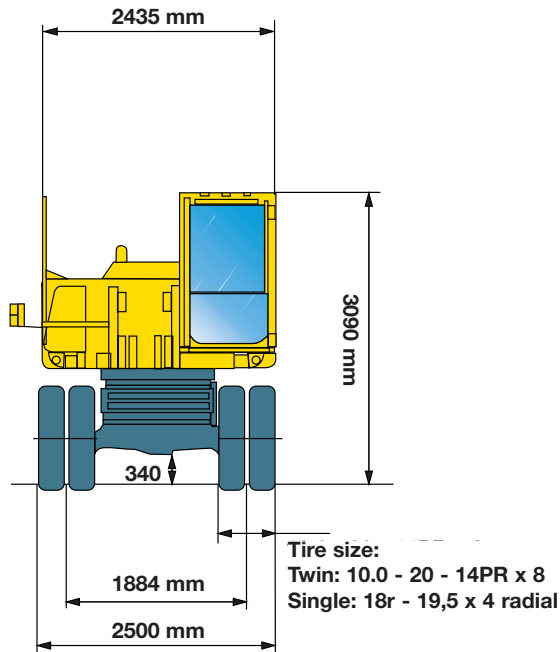
Note: In all cases bucket radius is 1207 mm from pivot to point of tooth.

TWO-PIECE BOOM + ROTATING ARM

Arm length	2600 mm
A Max. digging height	9270 mm
B Max. dumping height	6940 mm
C Max. digging depth	5450 mm
D Max. vertical wall digging depth	4160 mm
E Max. digging depth of cut for 8° level	5250 mm
F Max. digging reach	8585 mm
F' Max. digging reach at ground level	8390 mm
H Min. swing radius	2680 mm

DIMENSIONS & UNDERCARRIAGE

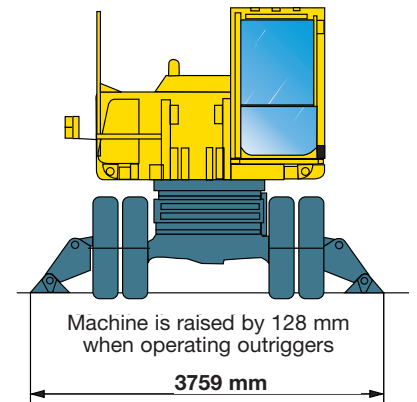
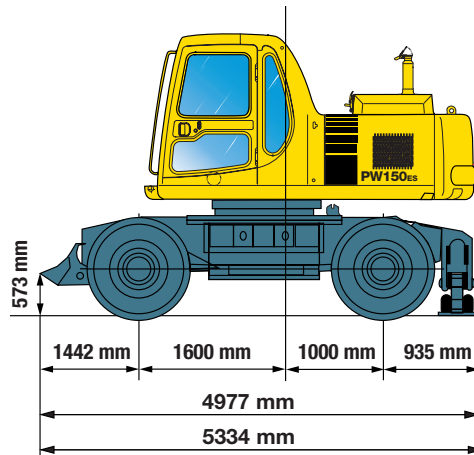
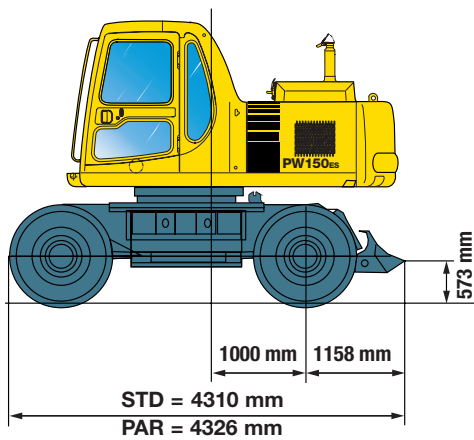
PW150ES-6



Rear blade

Front Blade / Rear outrigger

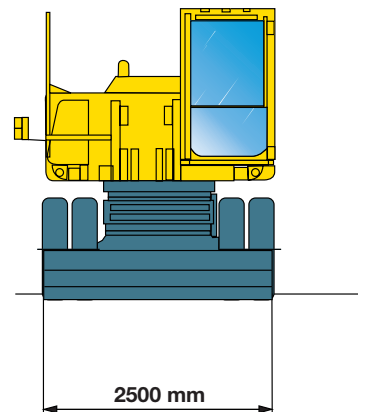
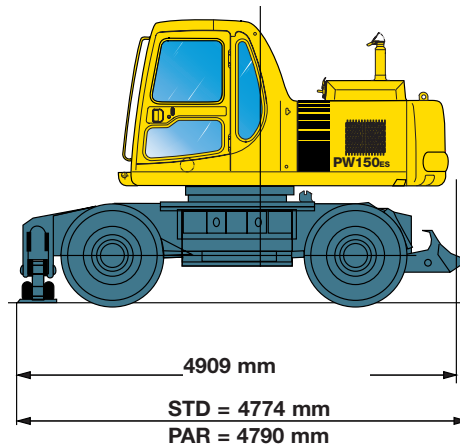
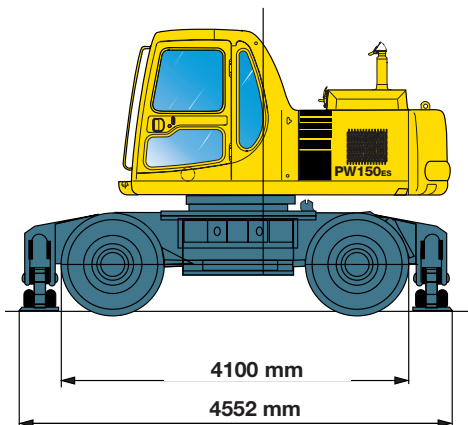
Undercarriage with outriggers out



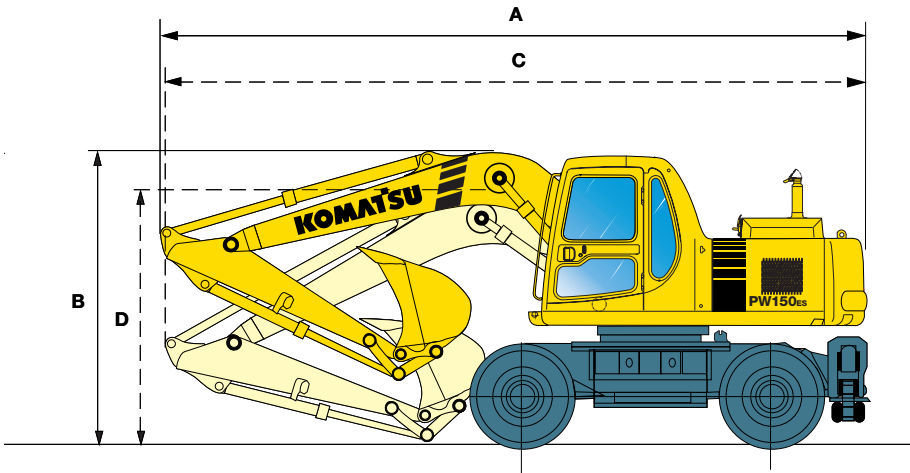
Four outriggers

Front outrigger

Undercarriage with blade



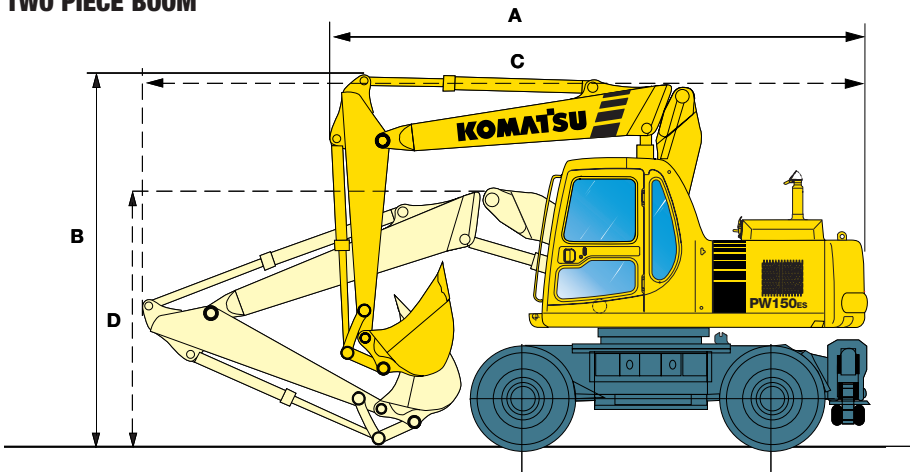
MONO BOOM



ARM	DRIVING POSITION		TRANSPORT POSITION	
	A	B	C	D
2.1	7772	3163*	7691	2768*
2.5	7743	3294*	7746	3177*
3.0	7451	3867	7767	2988 [°] *

[°] Without bucket fitted
* Dimensions are to piping

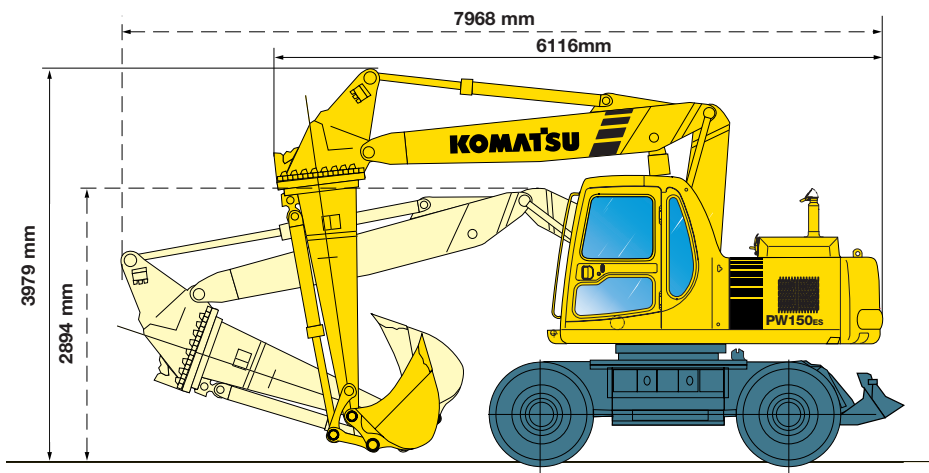
TWO PIECE BOOM



ARM	DRIVING POSITION		TRANSPORT POSITION	
	A	B	C	D
2.1	5973	3965*	7946	2754*
2.5	5969	3979*	7964	2848*
3.0	5979 [°]	3954 [°] *	7959 [°]	2999 [°] *

[°] Without bucket fitted
* Dimensions are to piping



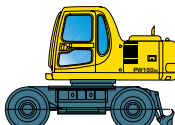

TWO PIECE BOOM + ROTATING ARM



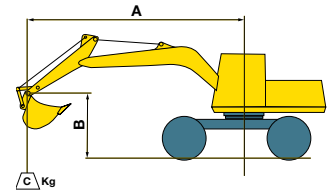
———— = Driving
- - - - - = Transport

LIFTING CAPACITIES

PW150ES-6

Arm length	A	⊗		6.0 m		4.5 m		3.0 m		1.5 m	
		⊗	⊗	⊗	⊗	⊗	⊗	⊗	⊗	⊗	⊗
Without stabilizer 	7.5 m	kg	*3650	*3650							
	6.0 m	kg	*2750	2550		*4100	*3400				
	4.5 m	kg	*2500	1900	3800	2500	*4450	3350			
	3.0 m	kg	*2450	1650	3750	2000	*5400	3200			
	1.5 m	kg	*2600	1550	3700	1950	5800	2950			
	0.0 m	kg	*2950	1650	3650	1900	5750	2900	*5950	5250	
	-1.5 m	kg	*3700	1950			5750	2900	*9300	5350	*5450
	-3.0 m	kg	*3950	2800			*4500	3000	*7050	5500	
Rear outrigger 	7.5 m	kg	*3650	*3650							
	6.0 m	kg	*2750	*2750		*4100	*4100				
	4.5 m	kg	*2500	*2500	*3900	3200	*4450	*4450			
	3.0 m	kg	*2450	*2450	*4350	3150	*5400	5000			
	1.5 m	kg	*2600	2550	*4400	3100	*6250	4750			
	0.0 m	kg	*2950	2650	4350	3050	*6700	4700	*5950	*5950	
	-1.5 m	kg	*3700	3150			*6300	4700	*9300	*9300	*5450
	-3.0 m	kg	*3950	3950			*4500	*4500	*7050	*7050	
Rear blade 	7.5 m	kg	*3650	*3650							
	6.0 m	kg	*2750	*2750		*4100	4100				
	4.5 m	kg	*2500	2350	*3900	2500	*4450	4050			
	3.0 m	kg	*2450	2050	*4350	2450	*5400	3900			
	1.5 m	kg	*2600	1950	*4700	2400	*6250	3600			
	0.0 m	kg	*2950	2050	*4850	2350	*6700	3600	*5950	*5950	
	-1.5 m	kg	*3700	2400			*6300	3550	*9300	6700	*5450
	-3.0 m	kg	*3950	3450			*4500	3700	*7050	6900	
Front outrigger + rear blade 	7.5 m	kg	*3650	*3650							
	6.0 m	kg	*2750	*2750		*4100	*4100				
	4.5 m	kg	*2500	*2500	*3900	3850	*4450	*4450			
	3.0 m	kg	*2450	*2450	*4350	3800	*5400	*5400			
	1.5 m	kg	*2600	*2600	*4700	3750	*6250	5800			
	0.0 m	kg	*2950	*2950	*4850	3700	*6700	5750	*5950	*5950	
	-1.5 m	kg	*3700	*3700			*6300	5750	*9300	*9300	*5450
	-3.0 m	kg	*3950	*3950			*4500	*4500	*7050	*7050	

Arm length 2100 mm



When removing bucket, linkage or cylinder, lifting capacities can be increased by their respective weights

A – Reach from swing center



B – Lifting point height

C – Lifting capacities, including bucket (462 kg), linkage (84 kg) and bucket cylinder (92 kg)

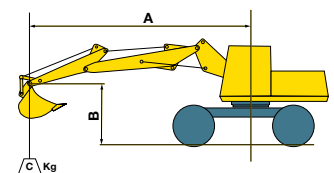
⊗ – Rating over front

⊗ – Rating over side or 360 degrees

⊗ – Rating at maximum reach

Without stabilizer 	7.5 m	kg	*3350	*3350							
	6.0 m	kg	*2600	*2600		*4250	3950				
	4.5 m	kg	*2400	2100	3750	2350	*4800	3850			
	3.0 m	kg	*2450	1800	3700	2300	*5900	3700			
	1.5 m	kg	*2600	1750	3650	2250	5850	3500			
	0.0 m	kg	*2950	1850	3550	2200	5700	3400	*4850	*4850	
	-1.5 m	kg	3500	2150	3600	2200	5700	3350	*10100	6400	
	-3.0 m	kg	*4500	3000			*5450	3450	*8100	6600	
Rear outrigger 	7.5 m	kg	*3350	*3350							
	6.0 m	kg	*2600	*2600		*4250	*4250				
	4.5 m	kg	*2400	*2400	*4350	3150	*4800	*4800			
	3.0 m	kg	*2450	*2450	4450	3100	*5900	4950			
	1.5 m	kg	*2600	2400	4400	3050	*6950	4750			
	0.0 m	kg	*2950	2500	4300	2950	6950	4650	*4850	*4850	
	-1.5 m	kg	*3750	2900	4300	3000	6950	4600	*10100	9200	
	-3.0 m	kg	*4500	4050			*5450	4700	*8100	*8100	
Rear blade 	7.5 m	kg	*3300	*3300							
	6.0 m	kg	*2550	*2550		*4250	4050				
	4.5 m	kg	*2350	2150	*4350	2450	*4750	4000			
	3.0 m	kg	*2400	1900	*4700	2400	*5900	3800			
	1.5 m	kg	*2550	1800	*5150	2300	*6950	3650			
	0.0 m	kg	*2950	1900	*5300	2250	*7400	3500	*4800	*4800	
	-1.5 m	kg	*3700	2200	*4800	2250	*7050	3500	*10050	6700	
	-3.0 m	kg	*4500	3100			*5450	3600	*8150	6850	
Front outrigger + rear blade 	7.5 m	kg	*3350	*3350							
	6.0 m	kg	*2600	*2600		*4250	*4250				
	4.5 m	kg	*2400	*2400	*4350	3800	*4800	*4800			
	3.0 m	kg	*2450	*2450	*4700	3750	*5900	*5900			
	1.5 m	kg	*2600	*2600	*5150	3700	*6950	5800			
	0.0 m	kg	*2950	*2950	*5300	3650	*7350	5700	*4850	*4850	
	-1.5 m	kg	*3750	3550	*4850	3650	*7050	5700	*10100	*10100	
	-3.0 m	kg	*4500	*4500			*5450	*5450	*8100	*8100	

Arm length 2100 mm



When removing bucket, linkage or cylinder, lifting capacities can be increased by their respective weights

A – Reach from swing center

B – Lifting point height

C – Lifting capacities, including bucket (462 kg), linkage (84 kg) and bucket cylinder (92 kg)

⊗ – Rating over front



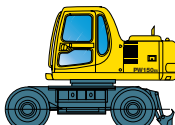

⊗ – Rating over side or 360 degrees

⊗ – Rating at maximum reach

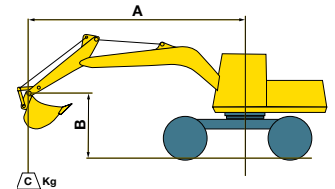
- Notes: 1. Ratings are based on ISO 10567.
 2. Lifting capacities are given for a) 75% of tipping load
 b) rated hydraulic lift capacity 87% of max.
 3. Capacities marked with an asterisk (*) are limited by hydraulic capacities.

LIFTING CAPACITIES

PW150ES-6

Arm length	A	⊗		6.0 m		4.5 m		3.0 m		1.5 m		
		B	⊗		⊗		⊗		⊗		⊗	
			⊗	⊗	⊗	⊗	⊗	⊗	⊗	⊗	⊗	⊗
	7.5 m	kg	*2650	*2650								
	6.0 m	kg	*2100	*2100			*3600	3400				
	4.5 m	kg	*1950	1700	*3800	2050	*4050	3400				
	3.0 m	kg	*1950	1500	3750	2000	*5050	3200	*7250	5950		
	1.5 m	kg	*2050	1400	3700	1950	5900	3000	*6150	5500		
	0.0 m	kg	*2350	1500	3600	1850	5750	2900	*6500	5300		
	-1.5 m	kg	*2900	1700	3600	1850	5700	2850	*9750	5300	*5000	
	-3.0 m	kg	*3900	2350			*5250	2900	*7850	5400		
	7.5 m	kg	*2650	*2650								
	6.0 m	kg	*2100	*2100			*3600	*3600				
	4.5 m	kg	*1950	*1950	*3800	3200	*4050	*4050				
	3.0 m	kg	*1950	*1950	*4150	3150	*5050	*5050	*7250	*7250		
	1.5 m	kg	*2050	*2050	4400	3100	*6050	4800	*6150	*6150		
	0.0 m	kg	*2350	*2350	4350	3000	*6650	4700	*6500	*6500		
	-1.5 m	kg	*2900	2800	4350	3000	*6450	4650	*9750	9250	*5000	
	-3.0 m	kg	*3900	3750			*5250	4700	*7850	*7850		
	7.5 m	kg	*2650	*2650								
	6.0 m	kg	*2100	*2100			*3600	*3600				
	4.5 m	kg	*1950	*1950	*3800	2500	*4050	*4050				
	3.0 m	kg	*1950	*1850	*4150	2450	*5050	3900	*7250	*7250		
	1.5 m	kg	*2050	1800	*4550	2400	*6050	3700	*6150	*6150		
	0.0 m	kg	*2350	1850	*4800	2300	*6650	3550	*6500	*6500		
	-1.5 m	kg	*2900	2150	*4500	2300	*6450	3550	*9750	6700	*5000	
	-3.0 m	kg	*3900	2900			*5250	3600	*7850	6850		
	7.5 m	kg	*2650	*2650								
	6.0 m	kg	*2100	*2100			*3600	*3600				
	4.5 m	kg	*1950	*1950	*3800	*3800	*4050	*4050				
	3.0 m	kg	*1950	*1950	*4150	3800	*5050	*5050	*7250	*7250		
	1.5 m	kg	*2050	*2050	*4550	3750	*6050	5900	*6150	*6150		
	0.0 m	kg	*2350	*2350	*4800	3650	*6650	5750	*6500	*6500		
	-1.5 m	kg	*2900	*2900	*4500	3650	*6450	5700	*9750	*9750	*5000	
	-3.0 m	kg	*3900	*3900			*5250	*5250	*7850	*7850		

Arm length 2500 mm



When removing bucket, linkage or cylinder, lifting capacities can be increased by their respective weights

A – Reach from swing center

B – Lifting point height


C – Lifting capacities, including bucket (462 kg), linkage (84 kg) and bucket cylinder (92 kg)

⊗ – Rating over front

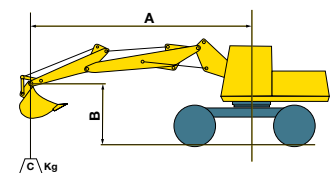
⊗ – Rating over side or 360 degrees

⊗ – Rating at maximum reach

ONE-PIECE BOOM

	7.5 m	kg	*2500	*2500							
	6.0 m	kg	*2050	*2050			*3800	3400			
	4.5 m	kg	*1900	1550	3800	2000	*4350	3350			
	3.0 m	kg	*1900	1350	3750	1950	*5500	3150	*8300	5950	
	1.5 m	kg	*2050	1300	3650	1850	5850	2950			
	0.0 m	kg	*2350	1350	3550	1800	5700	2800	*5350	5200	
	-1.5 m	kg	*2900	1600	3550	1800	5650	2800	*9100	5200	*4550
	-3.0 m	kg	4150	2100			5700	2850	*8950	5300	
	7.5 m	kg	*2500	*2500							
	6.0 m	kg	*2050	*2050			*3800	*3800			
	4.5 m	kg	*1900	*1900	*4000	3200	*4350	*4350			
	3.0 m	kg	*1900	*1900	*4450	3100	*5500	5050	*8300	*8300	
	1.5 m	kg	*2050	*2050	4400	3050	*6650	4750			
	0.0 m	kg	*2350	2250	4300	2950	6950	4650	*5350	*5350	
	-1.5 m	kg	*2900	2600	4300	2950	6900	4600	*9100	*9100	*4550
	-3.0 m	kg	*4200	3450			*6050	4650	*8950	*8950	
	7.5 m	kg	*2500	*2500							
	6.0 m	kg	*2050	*2050			*3800	*3800			
	4.5 m	kg	*1900	*1900	*4000	2450	*4350	4050			
	3.0 m	kg	*1900	1700	*4450	2400	*5500	3850	*8300	7400	
	1.5 m	kg	*2050	1650	*4950	2300	*6650	3650			
	0.0 m	kg	*2350	1700	*5300	2250	*7300	3500	*5350	*5350	
	-1.5 m	kg	*2900	2000	*5100	2250	*7150	3450	*9100	6600	*4550
	-3.0 m	kg	*4200	2650			*6050	3500	*8950	6700	
	7.5 m	kg	*2500	*2500							
	6.0 m	kg	*2050	*2050			*3800	*3800			
	4.5 m	kg	*1900	*1900	*4000	3850	*4350	*4350			
	3.0 m	kg	*1900	*1900	*4450	3800	*5500	*5500	*8300	*8300	
	1.5 m	kg	*2050	*2050	*4950	3700	*6650	5850			
	0.0 m	kg	*2350	*2350	*5300	3600	*7300	5700	*5350	*5350	
	-1.5 m	kg	*2900	*2900	*5100	3600	*7150	5650	*9100	*9100	*4550
	-3.0 m	kg	*4200	*4200			*6050	5700	*8950	*8950	

Arm length 2500 mm



When removing bucket, linkage or cylinder, lifting capacities can be increased by their respective weights

A – Reach from swing center

B – Lifting point height

C – Lifting capacities, including bucket (462 kg), linkage (84 kg) and bucket cylinder (92 kg)

⊗ – Rating over front



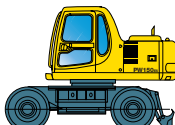

⊗ – Rating over side or 360 degrees

⊗ – Rating at maximum reach

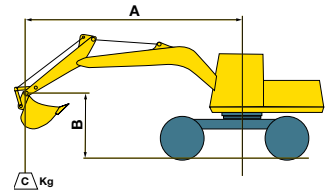
Notes: 1. Ratings are based on ISO 10567.
 2. Lifting capacities are given for a) 75% of tipping load
 b) rated hydraulic lift capacity 87% of max.
 3. Capacities marked with an asterisk (*) are limited by hydraulic capacities.

LIFTING CAPACITIES

PW150ES-6

Arm length	A	⊗		6.0 m		4.5 m		3.0 m		1.5 m	
		⊗	⊗	⊗	⊗	⊗	⊗	⊗	⊗	⊗	⊗
Without stabilizer 	7.5 m	kg	*2000	*2000							
	6.0 m	kg	*1650	*1650	*2650	2050					
	4.5 m	kg	*1550	1450	*3400	2050	*3500	3400			
	3.0 m	kg	*1650	1250	3750	2000	*4500	3250	*6150	*6150	
	1.5 m	kg	*1650	1200	3650	1900	*5650	3000	*9100	5550	
	0.0 m	kg	*1850	1250	3550	1800	5700	2850	*6800	5200	
	-1.5 m	kg	*2200	1450	3500	1800	5650	2750	*9350	5150	*4300
	-3.0 m	kg	*3050	1900			5600	2750	*8600	5250	*7700
Rear outrigger 	7.5 m	kg	*2000	*2000							
	6.0 m	kg	*1650	*1650	*2650	*2650					
	4.5 m	kg	*1550	*1550	*3400	3200	*3500	*3500			
	3.0 m	kg	*1550	*1550	*3800	3150	*4500	*4500	*6150	*6150	
	1.5 m	kg	*1650	*1650	*4300	3050	*5650	4850	*9100	*9100	
	0.0 m	kg	*1850	*1850	4300	2950	*6400	4650	*6800	*6800	
	-1.5 m	kg	*2200	*2200	4250	2950	*6500	4550	*9350	9100	*4300
	-3.0 m	kg	*3050	*3050			*5650	4500	*8600	*8600	*7700
Rear blade 	7.5 m	kg	*2000	*2000							
	6.0 m	kg	*1650	*1650	*2650	2500					
	4.5 m	kg	*1550	*1550	*3400	2500	*3500	*3500			
	3.0 m	kg	*1550	*1550	*3800	2450	*4500	3950	*6150	*6150	
	1.5 m	kg	*1650	*1550	*4300	2350	*5650	3700	*9100	6950	
	0.0 m	kg	*1850	1600	*4650	2250	*6400	3500	*6800	6600	
	-1.5 m	kg	*2200	1800	*4650	2250	*6500	3450	*9350	6550	*4300
	-3.0 m	kg	*3050	2350			*5650	3400	*8600	6650	*7700
Front outrigger + rear blade 	7.5 m	kg	*2000	*2000							
	6.0 m	kg	*1650	*1650	*2650	*2650					
	4.5 m	kg	*1550	*1550	*3400	*3400	*3500	*3500			
	3.0 m	kg	*1550	*1550	*3800	*3800	*4500	*4500	*6150	*6150	
	1.5 m	kg	*1650	*1650	*4300	3700	*5650	*5650	*9100	*9100	
	0.0 m	kg	*1850	*1850	*4650	3600	*6400	5700	*6800	*6800	
	-1.5 m	kg	*2200	*2200	*4650	3600	*6500	5650	*9350	*9350	*4300
	-3.0 m	kg	*3050	*3050			*5650	5600	*8600	*8600	*7700

Arm length 3000 mm



When removing bucket, linkage or cylinder, lifting capacities can be increased by their respective weights

A – Reach from swing center

B – Lifting point height




C – Lifting capacities, including bucket (462 kg), linkage (84 kg) and bucket cylinder (92 kg)

⊗ – Rating over front

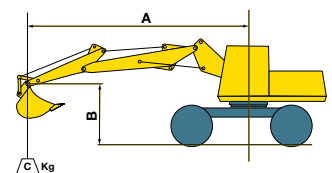
⊗ – Rating over side or 360 degrees

⊗ – Rating at maximum reach

ONE-PIECE BOOM

Without stabilizer 	7.5 m	kg	*1900	*1900							
	6.0 m	kg	*1550	*1550	*2900	2050					
	4.5 m	kg	*1450	1300	*3600	2000	*3750	3350			
	3.0 m	kg	*1500	1150	3700	1950	*4900	3150	*6950	6100	
	1.5 m	kg	*1550	1100	3600	1850	5850	2950	*6550	5400	
	0.0 m	kg	*1750	1150	3500	1750	5650	2750	*5550	5100	
	-1.5 m	kg	*2150	1300	3450	1700	5550	2700	*8050	5050	*3850
	-3.0 m	kg	*2950	1700	3500	1750	5600	2700	*9700	5150	*7050
Rear outrigger 	7.5 m	kg	*1900	*1900							
	6.0 m	kg	*1550	*1550	*2900	*2900					
	4.5 m	kg	*1450	*1450	*3600	3200	*3750	*3750			
	3.0 m	kg	*1500	*1500	*4100	3100	*4900	*4900	*6950	*6950	
	1.5 m	kg	*1550	*1550	4350	3000	*6200	4750	*6550	*6550	
	0.0 m	kg	*1750	*1750	4250	2900	6900	4550	*5550	*5550	
	-1.5 m	kg	*2150	*2150	4200	2850	6800	4500	*8050	*8050	*3850
	-3.0 m	kg	*2950	2800	4250	2900	*6500	4500	*9700	9100	*7050
Rear blade 	7.5 m	kg	*1900	*1900							
	6.0 m	kg	*1550	*1550	*2900	2500					
	4.5 m	kg	*1450	*1450	*3600	2450	*3750	*3750			
	3.0 m	kg	*1500	*1500	*4100	2400	*4900	3850	*6950	*6950	
	1.5 m	kg	*1550	1400	*4700	2300	*6200	3600	*6550	*6550	
	0.0 m	kg	*1750	1500	*5100	2200	*7050	3450	*5550	*5550	
	-1.5 m	kg	*2150	1650	*5150	2150	*7200	3350	*8050	6450	*3850
	-3.0 m	kg	*2950	2150	*4300	2200	*6500	3400	*9700	6550	*7050
Front outrigger + rear blade 	7.5 m	kg	*1900	*1900							
	6.0 m	kg	*1550	*1550	*2900	*2900					
	4.5 m	kg	*1450	*1450	*3600	*3600	*3750	*3750			
	3.0 m	kg	*1500	*1500	*4100	3750	*4900	*4900	*6950	*6950	
	1.5 m	kg	*1550	*1550	*4700	3650	*6200	5850	*6550	*6550	
	0.0 m	kg	*1750	*1750	*5100	3550	*7050	5650	*5550	*5550	
	-1.5 m	kg	*2150	*2150	*5150	3500	*7200	5550	*8050	*8050	*3850
	-3.0 m	kg	*2950	*2950	*4300	3550	*6500	5600	*9700	*9700	*7050

Arm length 3000 mm



When removing bucket, linkage or cylinder, lifting capacities can be increased by their respective weights

A – Reach from swing center

B – Lifting point height

C – Lifting capacities, including bucket (462 kg), linkage (84 kg) and bucket cylinder (92 kg)

⊗ – Rating over front

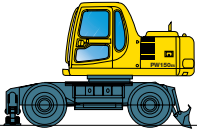
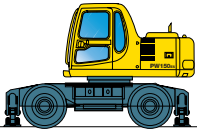
⊗ – Rating over side or 360 degrees

⊗ – Rating at maximum reach

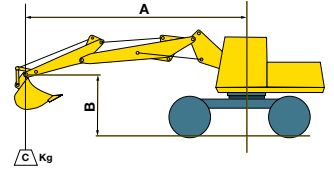
- Notes:
1. Ratings are based on ISO 10567.
 2. Lifting capacities are given for a) 75% of tipping load
b) rated hydraulic lift capacity 87% of max.
 3. Capacities marked with an asterisk (*) are limited by hydraulic capacities.

LIFTING CAPACITIES

PW150ES-6

Arm length	A	⊗		6.0 m		4.5 m		3.0 m		1.5 m	
		⊗	⊗	⊗	⊗	⊗	⊗	⊗	⊗	⊗	⊗
ROTATING ARM 	Blade + outrigger	7.5 m	kg	*1850	*1850						
	6.0 m	kg	*1550	1550	*2850	*2850					
	4.5 m	kg	*1400	*1400	*3400	*3400	*3600	*3600			
	3.0 m	kg	*1400	*1400	*3850	*3850	*4650	*4650	*6700	*6700	
	1.5 m	kg	*1500	*1500	*4400	4250	*5850	*5850	*6600	*6600	
	0.0 m	kg	*1700	*1700	*4800	4100	*6650	*6650	*5650	*5650	
	-1.5 m	kg	*2050	*2050	*4800	4050	*6750	6650	*8200	*8200	*3950
-3.0 m	kg	*2850	*2850	*3700	*3700	*6050	*6050	*9050	*9050		
ROTATING ARM 	Front outrigger	7.5 m	kg	*1850	*1850						
	6.0 m	kg	*1550	1550	*2850	*2850					
	4.5 m	kg	*1400	*1400	*3400	*3400	*3600	*3600			
	3.0 m	kg	*1400	*1400	*3850	3550	*4650	*4650	*6700	*6700	
	1.5 m	kg	*1500	*1500	*4400	3400	5500	*5850	*6600	*6600	
	0.0 m	kg	*1700	*1700	*4800	3300	5250	*6650	*5650	*5650	
	-1.5 m	kg	*2050	*2050	*4800	3250	5150	6550	*8200	*8200	*3950
-3.0 m	kg	*2850	*2850	*3700	3300	5200	*6050	*9050	*9050		

Rotating Arm 2600 mm



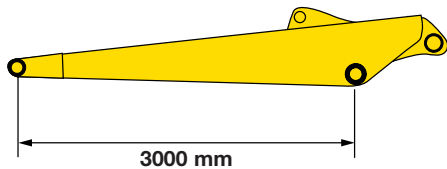
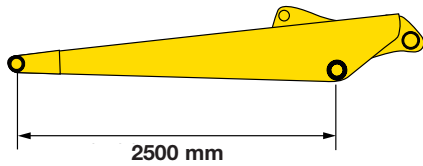
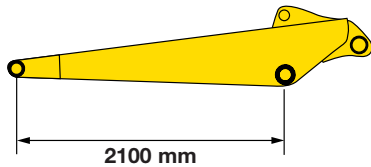
When removing bucket, linkage or cylinder, lifting capacities can be increased by their respective weights

BACKHOE ATTACHMENTS

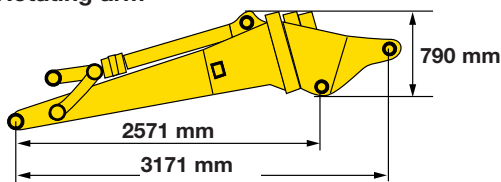
PW150ES-6

Specifications and equipments may vary according to regional availability

ARM

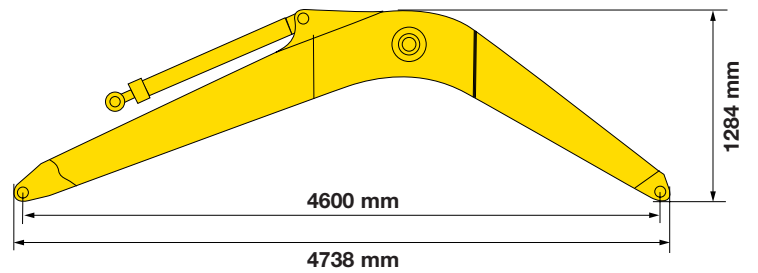


Rotating arm



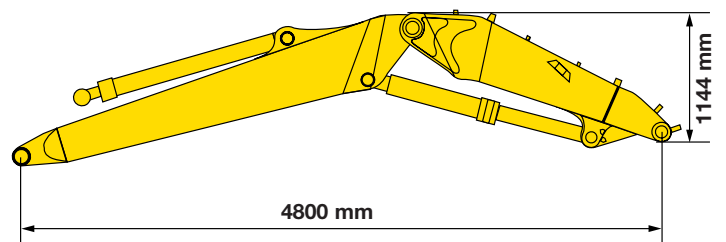
BOOM

One piece boom



(weight 973 kg, includes arm cylinder)

Two piece boom

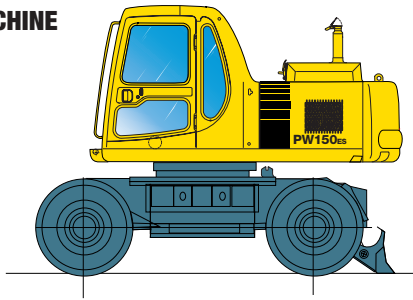


COMPONENTS DIMENSIONS AND WEIGHTS

PW150ES-6

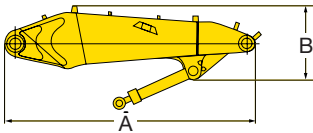
(APPROXIMATE WEIGHTS)

BASIC MACHINE



Tyre size	Weight			
	Rear blade	Rear outrigger	Rear blade + front outrigger	Front + rear outrigger
10.00 - 20 14 PR x 8	12650 kg	13020 kg	13470 kg	13840 kg

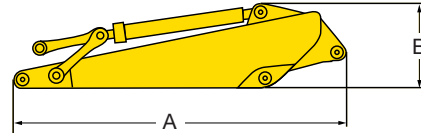
FIRST BOOM



A	B	Weight
2125 mm	582 mm	534 kg

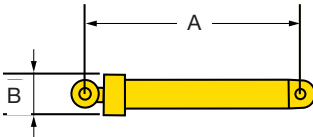
(includes boom adjust cylinder)

ARM WITH BUCKET CYLINDER AND LINKAGE



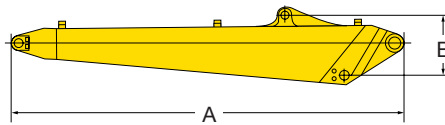
Arm length	2100 mm	2500 mm	3000 mm	Rotating arm
A	2850 mm	3251 mm	3750 mm	3310 mm
B	644 mm	593 mm	644 mm	805 mm
Weight	393 kg	434 kg	546 kg	1095 kg

BOOM CYLINDER



Size	Two piece boom		Monoblock
	first boom	second boom	
A	1500 mm	1125 mm	1500 mm
B	178 mm	232 mm	162 mm
Weight	123 kg (x2)	183 kg	110.5 kg (x2)

SECOND BOOM WITH ARM CYLINDER



A	B	Weight
3378 mm	667 mm	627 kg

(includes arm cylinder)

BUCKET AND ARM COMBINATION

Bucket capacity (heaped)		Width	Weight	Max. density (tonne/m³)			
SAE (m³)	CECE (m³)			2100 mm	2500 mm	3000 mm	Rotating arm
0.20	0.19	400	270	○	○	○	○
0.27	0.25	450	300	○	○	○	○
0.41	0.37	600	420	○	○	○	○
0.48	0.44	700	445	○	○	○	○
0.55	0.50	800	460	○	○	○	○
0.62	0.57	900	495	○	○	○	○
0.69	0.63	1000	530	○	○	□	□
0.76	0.69	1100	550	○	○	□	□
0.83	0.76	1200	575	○	□	△	△
0.90	0.82	1300	605	○	□	△	△
0.97	0.89	1400	630	□	△	-	-
1.14	1.04	1400	675	△	-	-	-

Data given is based on lifting capacity at max.reach over front and side.
Lifting Capacity includes hydraulic and tipping safety factors.

○ : material weight up to 1.8 t/m³
□ : material weight up to 1.5 t/m³
△ : material weight up to 1.2 t/m³
- : do not use

BUCKET AND ARM FORCE

Arm length	2100 mm	2500 mm	3000 mm	Rotating arm
Bucket Force	8900 kg	8900 kg	8900 kg	8900 kg
Bucket Force, 'Power max'	9700 kg	9700 kg	9700 kg	9700 kg
Arm Force	6700 kg	5600 kg	4690 kg	5400 kg
Arm Force, 'Power Max'	7300 kg	6100 kg	5110 kg	5900 kg

HYDRAULIC WHEELED EXCAVATOR PW150ES-6



STANDARD EQUIPMENT

Standard and optional equipment may vary. Consult your Komatsu dealer for more information.

- Additional Hydraulic circuit suitable for breaker and clamshell (HCU)
- Air cleaner, double element type with auto dust evacuator and dust indicator
- Alternator, 24 volt, 45 Amp.
- Auto decelerator
- Automatic engine warm-up system
- Automatic de aeration for fuel line
- Batteries (2 x 12 volt, 95 Ah)
- Boom cylinder safety valve
- Cab: all-weather sound suppression type with safety glass windows, pull-up type front window with lock device, removable lower windshield, lockable door, floor mat, windshield wiper with intermittent feature, cigarette lighter and ashtray
- Control levers (adjustable wrist control with PPC system)
- Cooling fan: suction
- Dual circuit hydraulic brakes with wet multi disc service brakes
- Electric horn
- Engine key stop
- Engine overheat prevention system
- Engine: SAA4D102E-2 turbo charged and intercooled direct injection diesel engine
- Fuel control dial
- Fully adjustable suspension seat
- Fully auto. 3 speed transmission
- General toolkit
- Heater
- Hydraulic multidisc parking brake incorporated into transmisson.
- Hydraulics: Pump & Engine Mutual Control System (PEMC) and Electronic HydraulMind
- Instrument panel: Electronic Monitor and Control Console
- Orbital type hydraulic steering acting on front wheels.
- Oscilating front axle with lockable cylinders.
- Overload warning device
- Power Max and Swift slow down function
- Radio cassette prep.
- Radiator & oil cooler with dust net
- Rain visor
- Refuelling pump
- Rearview mirrors (RH & LH)
- See through roof
- Starting motor: 24 volt, 5.5 kW direct electric
- Twin toolbox integrated in mud guards
- Vandalism protection locks
- 5 Working mode selection system

OPTIONAL EQUIPMENT

- Long tool rack
- Additional RH working lamp
- Air conditioning
- Arm cylinder safety valve
- Clamshell grip
- Cold weather battery
- Double tyres
- Adjust cylinder safety valve
- Additional cab roof lights
- Front or rear radial blade
- Rear parallel blade
- Heated air suspension seat
- Lower wiper
- Mono boom
- Rotating arm
- Engine room lamp
- Radio cassette
- Roof window guard
- Bio degradable oil
- Rotating beacon prep.
- Single wide tyres (18R 19,5 x 4)
- Transmission guard
- Two-piece boom
- Wide range of Komatsu buckets
- 2100 mm arm, 2500 mm arm, 3000 mm arm

KOMATSU

**Komatsu Europe
International N.V.**

Mechelsesteenweg 586
B 1800 VILVOORDE (BELGIUM)

Tel. (32)2/255 24 11
Fax (32)2/252 19 81