

# CRAWLER EXCAVATOR SERIES PC750SE/LC-6

# KOMATSU



*The machine shown may vary according to territory specifications*

The PC750SE/LC-6 is a state of the art European made excavator, setting new standards for cycle times, operator comfort, ease of service and safety.

## HYDRAULIC EXCAVATOR PC750SE/LC-6

FLYWHEEL HORSEPOWER:

**338 KW (453 HP)** at 1800 rpm

BUCKET CAPACITIES:

**3.6 ~ 6.0** m<sup>3</sup> SAE

WEIGHT RANGE:

UP TO **78.000** kg



# PRODUCTIVITY

Like all Komatsu dash-6 excavators, the PC750SE-6 has power, speed and control to give exceptional productivity.

## Massive engine power

The starting point for productivity is engine power. The PC750SE-6 turbo-charged and intercooled engine not only delivers a huge 444 HP, it is also fuel efficient and meets all current emissions and noise standards. Fuel consumption and noise is further improved using the autodeceleration system, which automatically reduces engine speed when the wrist control levers are in neutral.





## Exceptional digging forces

The massive engine power, combined with efficient pumps and large cylinders give the PC750SE-6 smooth, powerful digging forces. The standard work equipment is equipped with twin arm cylinders to give a fast arm operation without sacrificing digging force.

## Stability for control and safety

The engine and counterweight position, wide tracks and perfect machine weight deliver stable and safe operations, even on the roughest terrain. Operators can work in complete confidence.

## Flexible choice of work equipment

Two different types of back-hoe work equipment are available. The standard work equipment is designed for applications where the maximum digging forces and production are required. The longer optional work equipment is suitable for applications requiring maximum reach. In addition to the back-hoe work-equipment, a loading shovel version is also available.



## Fast cycle times.

Power, digging force and stability all contribute to a fast and productive operating cycle. In addition to this, a vast amount of development time has been spent optimising the control characteristics. A perfect balance of swing, boom and arm speeds allows the operator to consistently achieve a fast and productive operating cycle.

# OPERATOR COMFORT

All sources of operator fatigue have been carefully considered during the design process. The result is a cab offering unparalleled space and ergonomics, combined with exceptionally low vibration and noise.

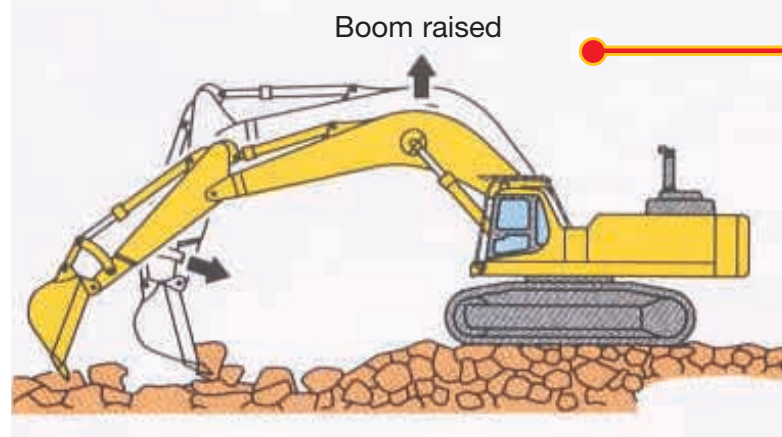
## Outstanding space and comfort

The cab offers unparalleled space for the operator, with generous leg and headroom as well as a large space to store personal belongings behind the seat. The multi-adjustable seat and controls can be set to create the ideal individual working position for any operator.



## Superb visibility

Excellent all-round visibility is provided by large panoramic windows and a wide opening roof hatch. Front visibility is further improved by the use of the Komatsu patented wiper system. When not in use the wiper parks on the cab frame itself with no contact with the front window. As well as giving excellent visibility, this systems avoids the need to disconnect the wiper before lifting the front window.





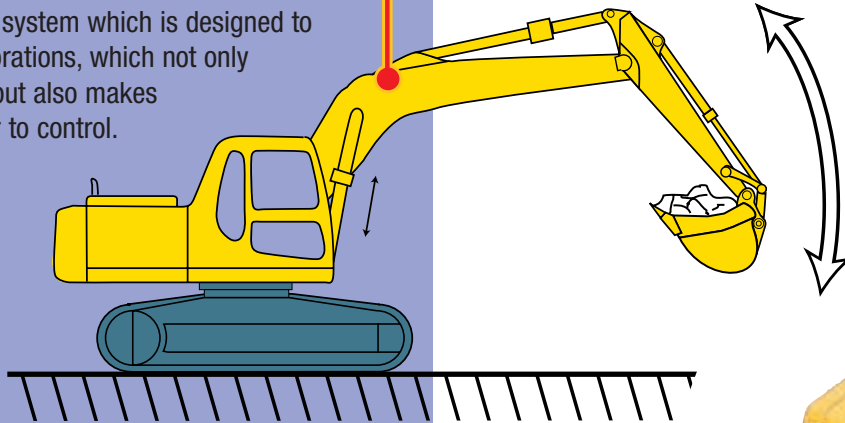
## Ergonomic controls

All controls, from the light action wrist control levers to the adjustable monitor panel, have been designed with operator ergonomics in mind. Minor controls are easily visible and operated on the inclined control panel. Large handrails, a cab step light and wide walkways allow safe and convenient cab access.



## Shockless boom control

With this size of excavator, shock and vibration caused when the boom is stopped induces operator fatigue. Shockless boom control is a patented hydraulic system which is designed to damp out these vibrations, which not only improves comfort but also makes the machine easier to control.

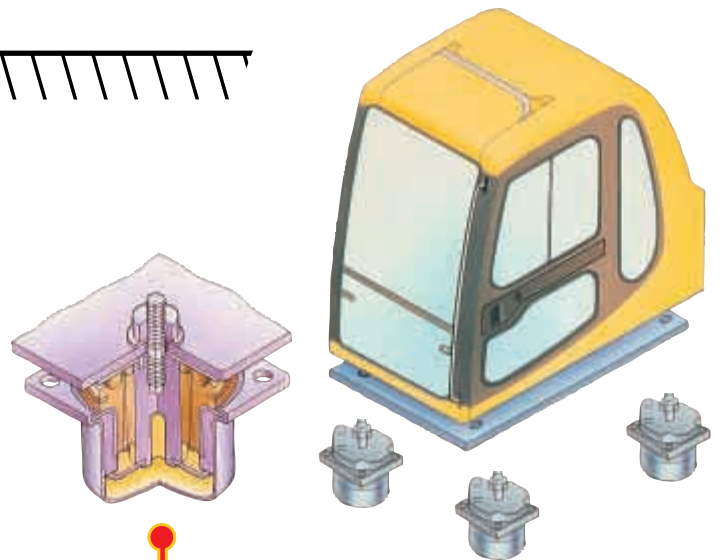


## 2-mode boom control

There are 2 operating modes for the boom: smooth and power.

When the smooth mode is selected the boom cylinder head relief pressure is set to a lower pressure. When the arm is used for scraping operations in hard rock, the smooth mode prevents the machine from lifting and dropping, which significantly reduces vibration and shock.

When Power mode is selected, the boom cylinder head relief pressure is set to maximum. This mode is used when making deep excavations in hard ground.



## Viscous damping mounts

The cab is supported on 4 multi-layer viscous mounts, which reduce cab rolling by up to 30% when compared to conventional rubber mounts.

# SERVICEABILITY

Rapid and effective servicing and diagnostics are essential for machine availability and reduced servicing costs.

## Self-diagnostics

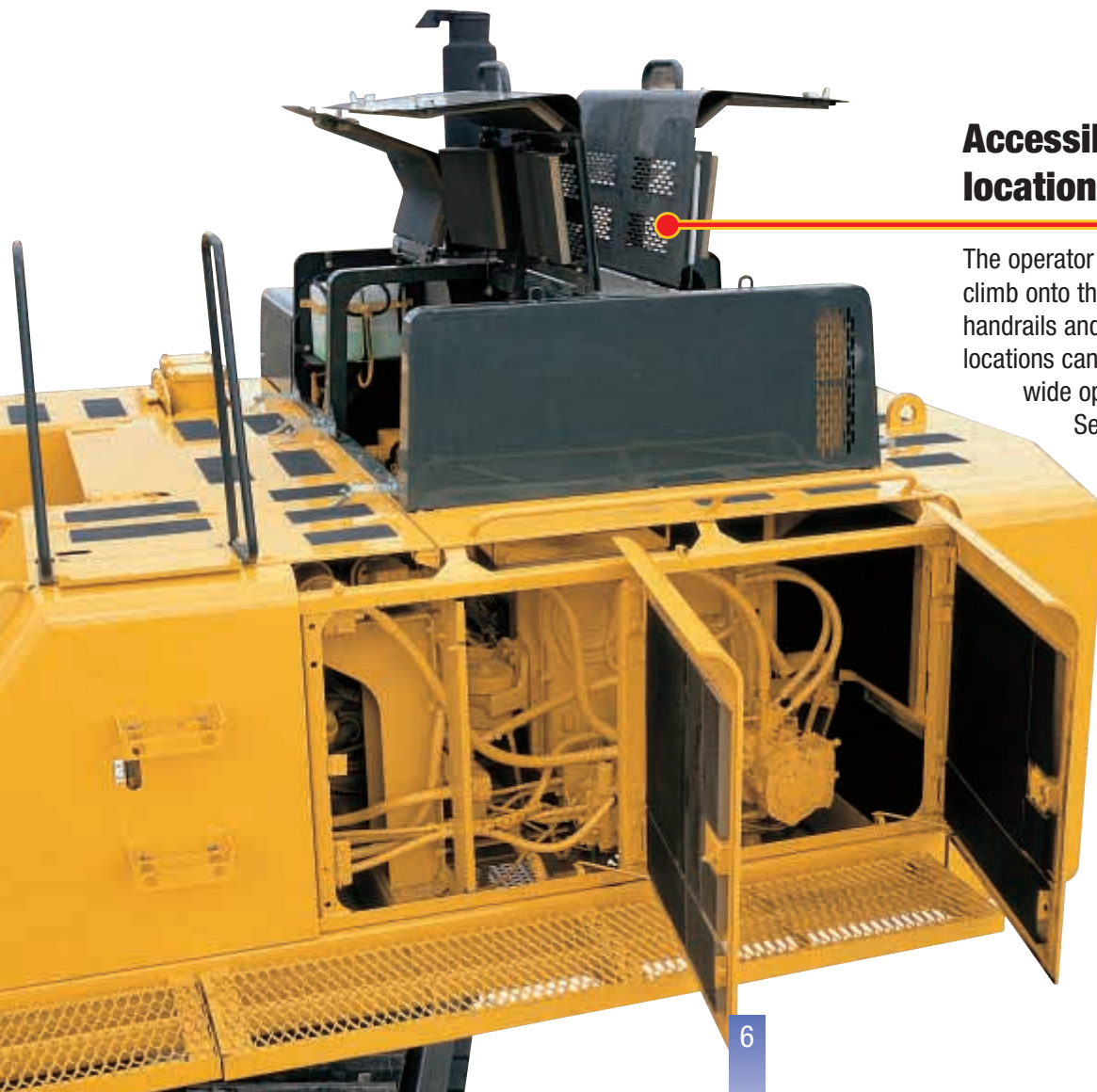
The monitor panel incorporates a sophisticated diagnostic system. If a serious fault develops the operator is warned immediately, whereas more minor problems are stored in the memory to be checked by service staff later. The memory can be extremely useful for service staff to diagnose intermittent problems. Diagnosis is further assisted by using the facility to display the operating condition of the machine, for example engine speed and pump pressures.



## Accessible service locations

The operator and service staff can safely climb onto the machine using the large handrails and wide walkways. All service locations can be easily accessed through wide opening doors and hoods.

Service details include hydraulic pressure points, remote greasing for engine pulleys and an engine oil drain valve.





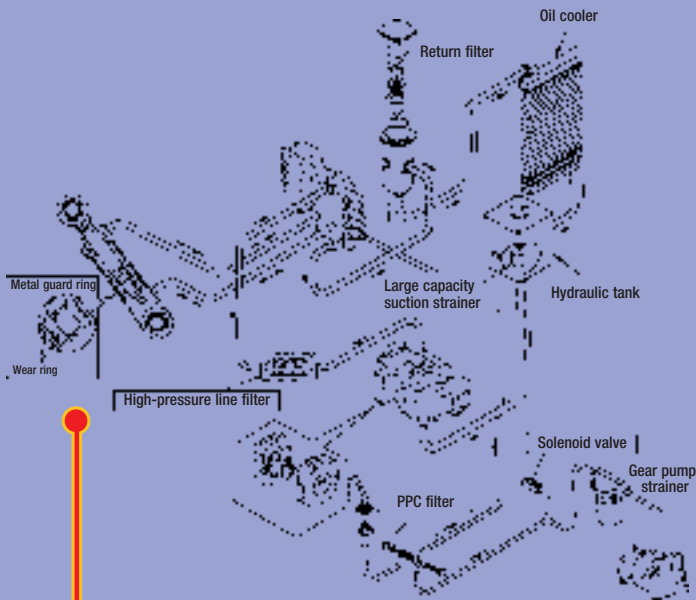


## Undercarriage

The undercarriage has been upgraded by increasing plate thickness and sections of the travel motors have been mounted inboard to prevent damage.

# DURABILITY & RELIABILITY

Komatsu has years of experience in the design, manufacture and operation of large size construction equipment. All of this experience has been used to help the PC750SE-6 be exceptionally durable, even in the most arduous of applications.



## Hydraulics

A clean hydraulic circuit is assured by the use of a high pressure in-line filter on the pump outlet, which prevents any debris from entering the circuit. This is complemented by a range of filters used throughout the hydraulic system. All hydraulic cylinders are now fitted with a metal guard ring which further improves cylinder life.

## Boom and arm

The boom and arm have been designed to cope with the increase in weight and power of the PC750SE-6 over the previous dash-5 model. This has been achieved by using larger sections, thicker plate and castings where necessary.



# CONTROL SYSTEM

Komatsu was the first to introduce computer control into excavators. The latest control system used by the PC750-6 is sophisticated but easy to use.

## Clock

Also used to display diagnostic information during servicing.

## Water temperature

## Working modes

The correct mode for any application can be easily selected.

DH : Heavy duty mode for maximum production.  
H : Normal digging and loading operations.  
G : Levelling and finishing operations

## Heavy lift mode

The heavy lift mode increases the relief pressure, giving up to 10% higher lifting capacity to cope with exceptional loads.

## Travel speed

2-speed fully automatic travel. Automatically changes from High to low when travelling up steep slopes and can be locked in to low for safe descents and manoeuvring.

## Service meter

## Fuel gauge

## Warning lights

The operator is immediately warned of any major problems.

## Auto deceleration

When selected, automatically reduces engine speed after a short period if the wrist control levers are in neutral.

## Swing priority

When switched off, the oil flow to the swing and boom functions is balanced to give easy loading at 90°. When switched on, the swing function is prioritised so that loading at 180° is made easier.







## ENGINE

Model ..... Komatsu SAA6D140E-3  
 Type ..... 4-cycle, water-cooled, direct-injection  
 Aspiration ..... Turbocharged  
 No. of cylinders ..... 6  
 Bore ..... 140 mm  
 Stroke ..... 165 mm  
 Piston displacement ..... 15.24 ltr.  
 Flywheel horsepower  
 (DIN 6270 NET) ..... 338 kW (453 HP) at 1800 RPM  
 (SAE J1349) ..... 338 kW (460 PS) at 1800 RPM  
 Governor ..... All-speed, mechanical



## HYDRAULIC SYSTEMS

Type ..... E-OLSS (Electronic Open-Centre Load Sensing System)  
 No. of selectable working modes ..... 3  
 Main pump:  
 Type ..... Variable displacement piston pumps x 4  
 Pumps for ..... Boom, arm, bucket, swing and travel circuits  
 Sub-pump for control circuit ..... Gear pump  
 Maximum flow ..... 1008 ltr./min.  
 Hydraulic motors:  
 Travel ..... 2 x Axial piston motor  
 Swing ..... 1 x Axial piston motor  
 Relief valve setting:  
 Implement circuits ..... 320 kg/cm<sup>2</sup>  
 Travel circuit ..... 320 kg/cm<sup>2</sup>  
 Swing circuit ..... 290 kg/cm<sup>2</sup>  
 Pilot circuit ..... 30 kg/cm<sup>2</sup>  
 Hydraulic cylinders: STD M/C  
 Number of cylinders - bore x stroke:  
 1<sup>st</sup> Boom ..... 2 - 200 mm x 1892 mm  
 Arm ..... 2 - 185 mm x 1610 mm  
 Bucket ..... 1 - 225 mm x 1420 mm  
 Hydraulic cylinders: OPTION M/C  
 Number of cylinders - bore x stroke:  
 1<sup>st</sup> Boom ..... 2 - 200 mm x 1892 mm  
 Arm ..... 2 - 185 mm x 1610 mm  
 Bucket ..... 1 - 185 mm x 1610 mm  
 Swing speed ..... 6.5 RPM



## STEERING

Steering/travelling controls are activated by either hand levers or foot pedals. Pushing both levers (or pedals) moves the machine forward. Pulling them back makes the machine go into reverse. Setting one lever (or pedal) in neutral and the other in forward enables the machine to make a pivot turn. Pushing one forward while pulling the other backward makes the machine counter-rotate on the spot.



## OPERATING WEIGHT

Operating weight is inclusive of all standard equipment, fuel, lubricant, coolant and operator.

WORK EQUIPMENT	SE		LC		LC		SE	
	7.1 m BOOM / 2.9 m arm 4.0 m <sup>3</sup> (SAE)		8.2 m BOOM / 2.9 m arm 4.0 m <sup>3</sup> (SAE)		8.2 m BOOM / 3.6 m arm 3.6 m <sup>3</sup> (SAE)		8.2 m BOOM / 3.6 m arm 3.6 m <sup>3</sup> (SAE)	
SHOES	Weight	Ground Pressure	Weight	Ground Pressure	Weight	Ground Pressure	Weight	Ground Pressure
610 mm WIDE DOUBLE GROUSER	76.245 kg	1.263 kg/cm <sup>2</sup>	-	-	-	-	76560 kg	1.268 kg/cm <sup>2</sup>
710 mm WIDE DOUBLE GROUSER	76.945 kg	1.095 kg/cm <sup>2</sup>	80.645 kg	1.029 kg/cm <sup>2</sup>	80.960 kg	1.033 kg/cm <sup>2</sup>	77.260 kg	1.099 kg/cm <sup>2</sup>
810 mm WIDE DOUBLE GROUSER	77.645 kg	0.968 kg/cm <sup>2</sup>	81.345 kg	0.91 kg/cm <sup>2</sup>	81.660 kg	0.913 kg/cm <sup>2</sup>	77.960 kg	0.972 kg/cm <sup>2</sup>
910 mm WIDE DOUBLE GROUSER	78.345 kg	0.870 kg/cm <sup>2</sup>	-	-	-	-	78.660 kg	0.873 kg/cm <sup>2</sup>
1010 mm WIDE DOUBLE GROUSER	-	-	82.745 kg	0.816 kg/cm <sup>2</sup>	83.060 kg	0.819 kg/cm <sup>2</sup>	-	-
1110 mm WIDE DOUBLE GROUSER	-	-	83.445 kg	0.749 kg/cm <sup>2</sup>	83.760 kg	0.752 kg/cm <sup>2</sup>	-	-



## SWING SYSTEM

Driven by ..... Hydraulic Motor  
 Swing reduction ..... Planetary double reduction  
 Swing circle lubrication ..... Grease-bathed  
 Swing lock ..... Oil disc brake



## DRIVES & BRAKES

Steering controls ..... Two levers with pedals  
 Drive method ..... Fully hydrostatic type  
 Travel motor ..... Axial piston motor  
 Reduction system ..... Planetary double reduction  
 Max. drawbar pull ..... 57000 kg  
 Max. travel speed (High) ..... 4.2 km/h  
 Max. travel speed (Low) ..... 2.7 km/h  
 Service brake ..... Hydraulic brake  
 Parking brake ..... Oil disc brake (in swing gear box)



## UNDERCARRIAGE

Center frame ..... H-leg frame  
 Track frame ..... Box-section type  
 Seal of track ..... Sealed track  
 Track adjuster ..... Hydraulic type  
 No. of shoes ..... 47 each side  
 No. of carrier rollers ..... 3 each side  
 No. of track rollers ..... 8 each side



## ENVIRONMENT

Engine emissions fully complies with stage II exhaust emission regulations.  
 Dynamic noise level Lpa 81 db(A)  
 Lwa 111 db(A)

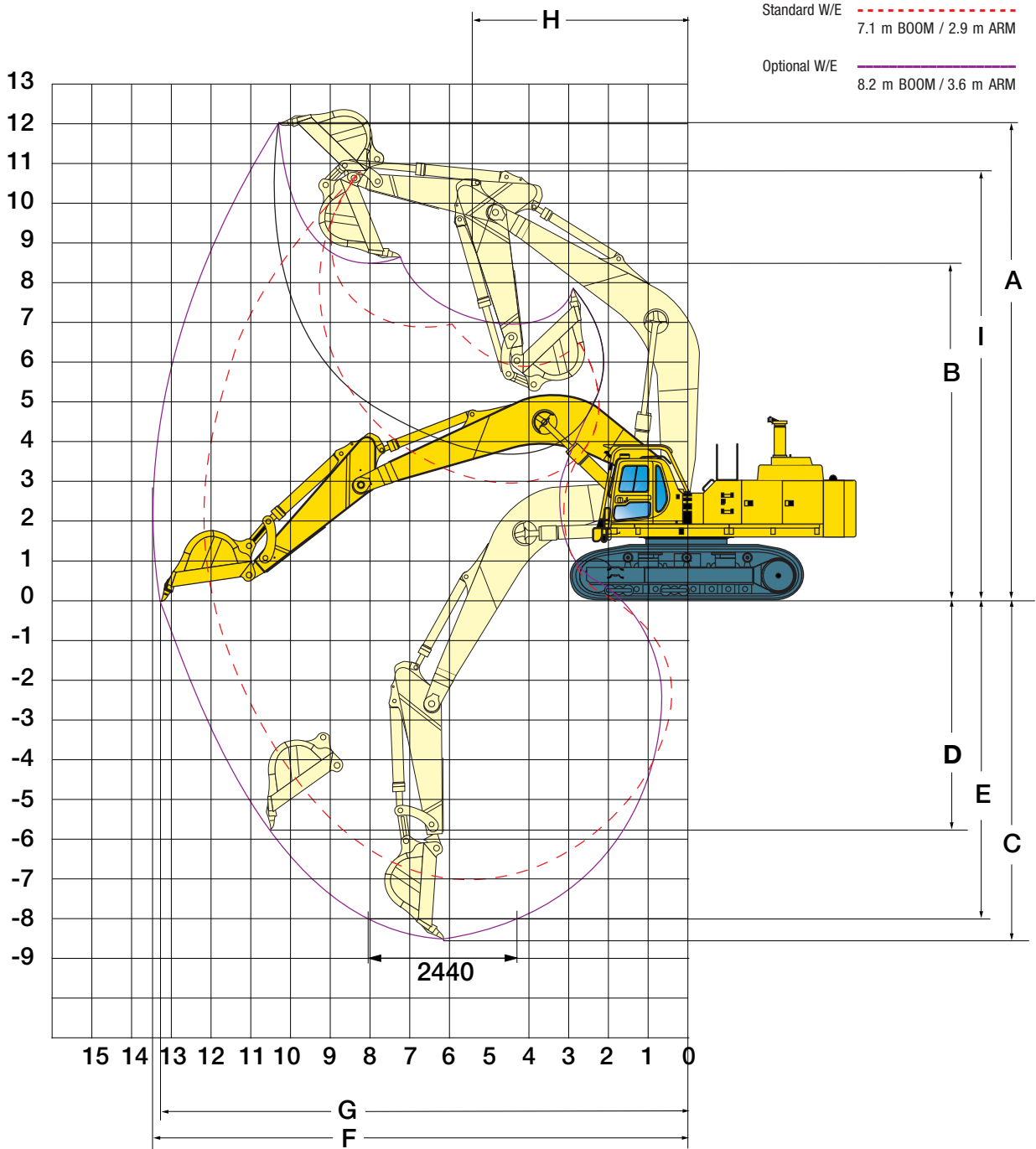


## COOLANT & LUBRICANT CAPACITY

Fuel tank ..... 880 ltr.  
 Radiator ..... 85 ltr.  
 Engine ..... 38 ltr.  
 Final drive, each side ..... 20 ltr.  
 Swing drive ..... 30 ltr.  
 Hydraulic tank ..... 440 ltr.

# WORKING RANGES

## PC750SE/LC-6



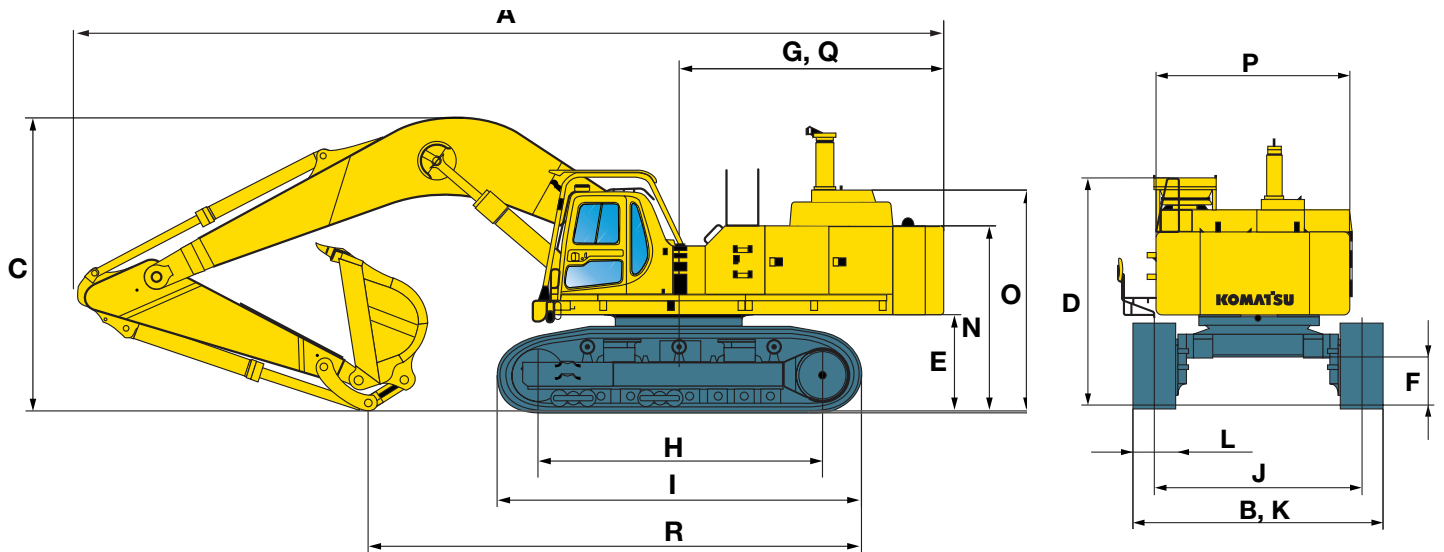
Arm length	STANDARD W/E	OPTIONAL W/E
A Max. digging height	11510 mm	11955 mm
B Max. dumping height	7565 mm	8235 mm
C Max. digging depth	7015 mm	8445 mm
D Max. vertical wall depth	4930 mm	5865 mm
E Max. digging depth of cut for 2440 mm level	6870 mm	8315 mm
F Max. digging reach	12155 mm	13660 mm
G Max. reach at ground level	11865 mm	13400 mm
H Min. swing radius of work equipment	5385 mm	5830 mm
I Max. height of min. swing radius	9685 mm	10430 mm
Bucket digging forces	39900 kg	31500 kg
Arm crowd force	33800 kg	29100 kg



# MACHINE DIMENSIONS

PC750SE/LC-6

## BACKHOE



	BACKHOE								
	Standard W/E			LC			Optional W/E		
	mm	mm	mm	mm	mm	mm	mm	mm	mm
BOOM		7100		8200		8200			
ARM		2920		3600		3600			
A Overall length		12870		13820		13820			
B Overall width		4110		4110		4110			
C Overall height (to top of boom)		4705		4785		4785			
D Overall height to top of CAB		3515		3515		3515			
FOPS		3890		3890		3890			
E Ground clearance, counterweight		1555		1555		1555			
F Min. ground clearance		840		840		840			
G Tail swing radius		4300		4300		4300			
H Length of track on ground		4500		5020		4500			
I Track length		5810		6327		5810			
J Track gauge	*2780	°3500	*2780	°3500	*2780	°3500			
K Overall track width with 610 mm shoe	*3390	°4110	*3390	°4110	*3390	°4110			
710 mm shoe	*3490	°4210	*3490	°4210	*3490	°4210			
810 mm shoe	△	°4310	△	°4310	△	°4310			
910 mm shoe	△	°4410	△	°4410	△	°4410			
L Shoe width		610		610		610			
M Grouser height		50		50		50			
N Machine cab height (to c/w)		2965		2965		2965			
O Machine cab height (to hood)		3495		3495		3495			
P Machine cab width		3195		3195		3195			
Q Distance, swing center to rear end		4205		4205		4205			
R Distance, bucket pin to track end		7750		8008		7900			

△ Transport dimension, retraction not available for 810 mm and 910 mm

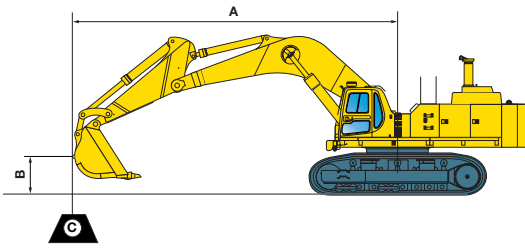
° Extended dimensions

\* When retracted

• For raised cab only

# LIFTING CAPACITIES

## PC750SE-6



A – Reach from swing centerline

B – Bucket hook height

C – Lifting capacities

– Rating over front

– Rating over side or 360 degrees

– Rating at maximum reach

Arm length	B	A		9.0 m		7.5 m		6.0 m		4.5 m		3.0 m	

### HEAVY LIFT "OFF"

With 610 mm shoe bkt 4.0 m <sup>3</sup> Boom 7100 mm	6.0 m	kg	*11100	*11100	*14300	13900	*16300	*16300						
	3.0 m	kg	*12100	9500	*15550	12800	*18950	17650	*23950	*23950				
	0.0 m	kg	12850	9650	*15750	11850	*19800	15950	*25750	22850	*29400	*29400		
	-3.0 m	kg	*12100	*12100			*16450	15750	*21300	*21300	*27100	*27100	*33250	*33250

### HEAVY LIFT "ON"

With 610 mm shoe bkt 4.0 m <sup>3</sup> Boom 7100 mm	6.0 m	kg	*12450	11200	*16350	13900	*18550	*18550						
	3.0 m	kg	12600	9500	16750	12800	*21600	17650	*27200	25000				
	0.0 m	kg	12850	9650	15750	11850	21200	15950	*29350	22850	*32500	*32500		
	-3.0 m	kg	*14100	12250			*19000	15750	*24500	22650	*31150	*31150	*38350	*38350

### HEAVY LIFT "OFF"

With 610 mm shoe bkt 3.6 m <sup>3</sup> Boom 8200 mm	6.0 m	kg	*9750	8400	*12800	*12800	*15000	*15000						
	3.0 m	kg	9700	*14500	12750	*17850	17350	*23350	*23350					
	0.0 m	kg	9700	7100	*15250	11400	*19050	15250	*24650	21600	*16800	*16800		
	-3.0 m	kg	*10300	8350	*13800	10950	*17300	14650	*21750	21100	*27300	*27300	*21950	*21950
	-6.0 m	kg	*8850	*8850		*10800	*10800	*14050	*14050	*16900	*16900			

### HEAVY LIFT "ON"

With 610 mm shoe bkt 3.6 m <sup>3</sup> Boom 8200 mm	6.0 m	kg	*10950	8400	*14700	14400	*17100	*17100						
	3.0 m	kg	9700	7150	*16650	12750	*20400	17350	*26600	24700				
	0.0 m	kg	9700	7100	15300	11400	20500	15250	*28250	21600	*18700	*18700		
	-3.0 m	kg	11350	8350	14800	10950	19850	14650	*25100	21100	*31550	*31550	*24350	*24350
	-6.0 m	kg	*10650	*10650		*12900	*12900	*16650	*16650	*20000	*20000			

\* Rated hydraulic lift capacity rather than rated stability capacity loads do not exceed 87% of hydraulic capacity or 75% of tipping capacity.

# BUCKET AND ARM COMBINATIONS

## PC750SE/LC-6

BUCKET CAPACITY	WIDTH	WEIGHT	STANDARD W/E	OPTIONAL W/E
3.6 m <sup>3</sup> GP	1,750 mm	3,575 kg	○	○
4.0 m <sup>3</sup> GP	1,950 mm	3,700 kg	○	○
4.4 m <sup>3</sup> GP	2,140 mm	3,800 kg	○	○
5.1 m <sup>3</sup> GP	2,480 mm	3,925 kg	○	○
5.6 m <sup>3</sup> GP	2,730 mm	4,025 kg	□	□
6.0 m <sup>3</sup> GP	2,920 mm	4,100 kg	□	△

GP = GENERAL PURPOSE

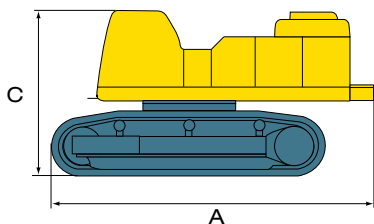
○ Material weight up to 1.8 t/m<sup>3</sup>  
 □ Material weight up to 1.5 t/m<sup>3</sup>  
 △ Material weight up to 1.2 t/m<sup>3</sup>



# TRANSPORT DIMENSIONS AND WEIGHTS

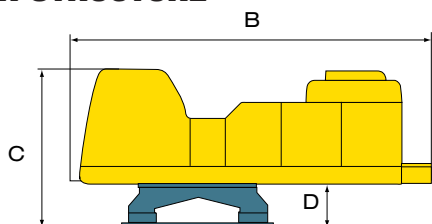
## PC750SE/LC-6

### UPPER STRUCTURE + UNDERCARRIAGE



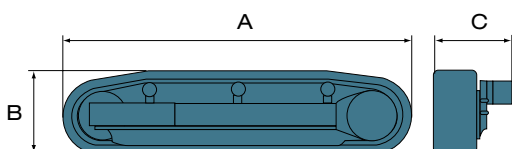
Unit	STD. / OPT.
A Length	6840 mm
B Overall width	3490 mm
C Height	3630 mm
Weight	46200 kg

### UPPER STRUCTURE



Unit	STD. / OPT.
A Overall width	3195 mm
B Length	5970 mm
C Total height	2745 mm
D Height to upperstructure	780 mm
Weight	23700 kg

### UNDERCARRIAGE

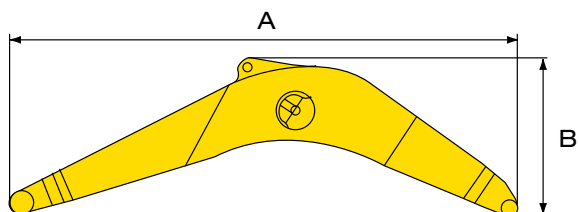


Unit	STD. / OPT.	LC
Quantity	2	2
A Length	5810 mm	6330 mm
B Height	1445 mm	1445 mm
C Width	1305 mm	1305 mm
Weight	22500 kg (11250 x 2)	26200 kg (13100 x 2)

### WORK EQUIPMENT

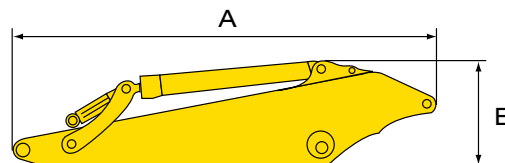
#### BOOM

Unit	STD.	OPT.
A Length	7390 mm	8490 mm
B Height	2556 mm	2605 mm
Overall width	1500 mm	1500 mm
Weight	6850 kg	7770 kg

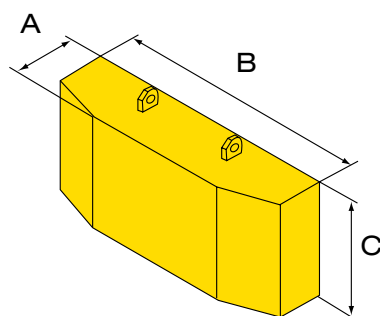


#### ARM

Unit	STD.	OPT.
A Length	4075 mm	4800 mm
B Height	1696 mm	1365 mm
Overall width	753 mm	749 mm
Weight	4880 kg	4410 kg



### COUNTERWEIGHT

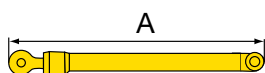


Unit	STD. / OPT.
A Width	790 mm
B Length	3195 mm
C Height	1530 mm
Weight	12040 kg

### CYLINDERS

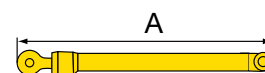
#### BOOM

Unit	STD. / OPT.
A Length	3180 mm
Weight	1620 kg (810 kg x 2)



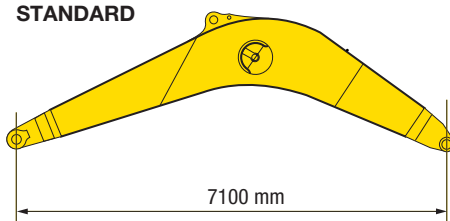
#### ARM

Unit	STD. / OPT.
A Length	2595 mm
Weight	1080 kg (540 kg x 2)

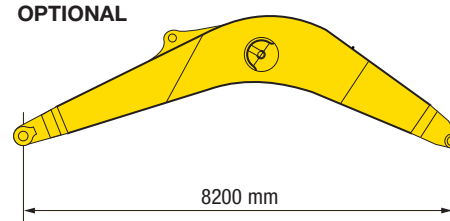


### BOOM

STANDARD

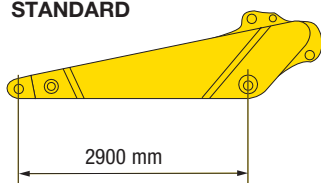


OPTIONAL

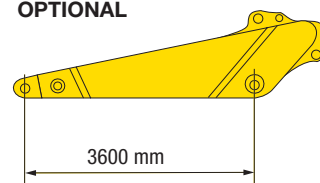


### ARM

STANDARD



OPTIONAL



*barge version*







# KOMATSU CRAWLER EXCAVATOR SERIES PC750SE/LC-6



## STANDARD EQUIPMENT

Standard and optional equipment may vary. Consult your Komatsu dealer for more information.

- Air cleaner, double element type, with auto dust evacuator and dust indicator
- Air conditioning
- Alternator, 75 A
- Auto decelerator
- Automatic de aeration for fuel line
- Automatic engine warm-up system
- Batteries (2 x 12 volt, 170 Ah)
- Cab: all-weather sound suppression type with safety glass windows, pull-up type front window with locking device, removable lower windshield, lockable door, floor mat, windshield wiper with intermittent feature, cigarette lighter and ashtray.
- Control levers (adjustable wrist control with PPC system)
- Cooling fan: suction type
- Drive system: hydrostatic, high-low travel system with auto-shift
- Electronic Open-centre Load Sensing System (EOLSS)
- Engine overheat prevention system
- Engine SAA6D140E-3
- Fuel control dial
- Fully adjustable suspension seat
- Heater
- Horn, electric
- Hydraulic track adjusters
- Instrument panel: Electronic Monitor and Control Console
- Lights 2 front (RH & LH) & 1 Boom
- Overload warning device
- Radiator & oil cooler with dust net
- Rearview mirrors (RH & LH)
- Starting motor, 24 V, 8,9 kW
- Space parts for first service
- Swing priority function
- Track guiding guards (centre)
- Two mode boom setting
- Vandalism protection locks
- Working mode selection system

## OPTIONAL EQUIPMENT

- Heated suspension seat
- Demolition boom arm
- Hydraulic control unit
- Raised cab
- Large range of Komatsu buckets
- Fops
- Stereo cassette-radio
- Track frame underguard
- Warning lamp
- Straight boom

**KOMATSU**

**Komatsu Europe  
International N.V.**

Mechelsesteenweg 586  
B 1800 VILVOORDE (BELGIUM)

Tel. (32)2/255 24 11  
Fax (32)2/252 19 81