

KOMATSU®

PC340LC-7 PC340NLC-7

NET HORSEPOWER
184 kW 247 HP @ 1.950 rpm

OPERATING WEIGHT
PC340LC-7: 33.070 - 35.045 kg
PC340NLC-7: 32.970 - 34.755 kg

BUCKET CAPACITY
max. 2,32 m³

PC
340

HYDRAULIC EXCAVATOR



PC340LC/NLC-7

ecot3

WALK-AROUND

The PC340-7 is a rugged, productive, all-European machine. Designed and expressly built for European markets, it delivers productivity, reliability and operator comforts in a robust, environmentally-friendly package. Komatsu's exclusive, on-board, HydraulMind system assists in all operations, providing enhanced machine performance that's always perfectly matched to the task.

Dash 7 Sales Features:

- Higher production
- Low fuel consumption
- KOMTRAX™ Komatsu Tracking System
- Improved operator comfort
- Lower operator noise level (EU Stage II)
- Meets EU Stage IIIA / EPA Tier III emission regulations
- Advanced Attachment Control
- Multi-function colour monitor

Advanced Attachment Control

The PC340-7 can be optionally equipped to handle a wide variety of attachments. The advanced attachment control system features:

- Operator selectable hydraulic flow control
- Adjustable presets for rapid attachment changeover
- Additional filters and accumulators for attachment and machine protection
- Hydraulic relief pressure control
- Automatic changeover valves
- Attachment piping options

Heavy-duty digging performance

Large bore cylinders have been installed to the super short and short arms to greatly increase digging force and productivity in tough conditions. The boom and arms have larger cross sections to provide superb durability.

High productivity and low fuel consumption

The powerful turbocharged and air-to-air aftercooled Komatsu SAA6D114E-3 provides 184 kW/247 HP.

Excellent reliability and durability

- Heavy-duty work equipment
- Reliable major components designed and built by Komatsu
- Exceptionally-reliable electronic devices

KOMTRAX™ Komatsu Tracking System

Track and monitor your machine any time, any where for total peace of mind.



NET HORSEPOWER
184 kW 247 HP**OPERATING WEIGHT**
PC340LC-7: 33.070 - 35.045 kg
PC340NLC-7: 32.970 - 34.755 kg**BUCKET CAPACITY**
max. 2,32 m³**Easy maintenance**

- Extended hydraulic filter replacement interval
- Remote-mounted engine oil filter and fuel drain valve, for easy access
- Standard-equipped water separator
- Easier radiator cleaning
- Increased fuel tank capacity

SpaceCab™

The new PC340-7's cabin space has been increased by 14%, offering an exceptionally-roomy operating environment.

- Sealed and pressurised cab with standard air conditioning
- Low-noise design
- Low-vibration design with cabin damper mounting
- OPG Level I (ISO) compliant cabin

In harmony with the environment

- The low emission engine meets EU Stage IIIA emissions standards with increased power and machine productivity
- The economy mode reduces fuel consumption
- Low operating noise
- Designed for easy end-of-life recycling



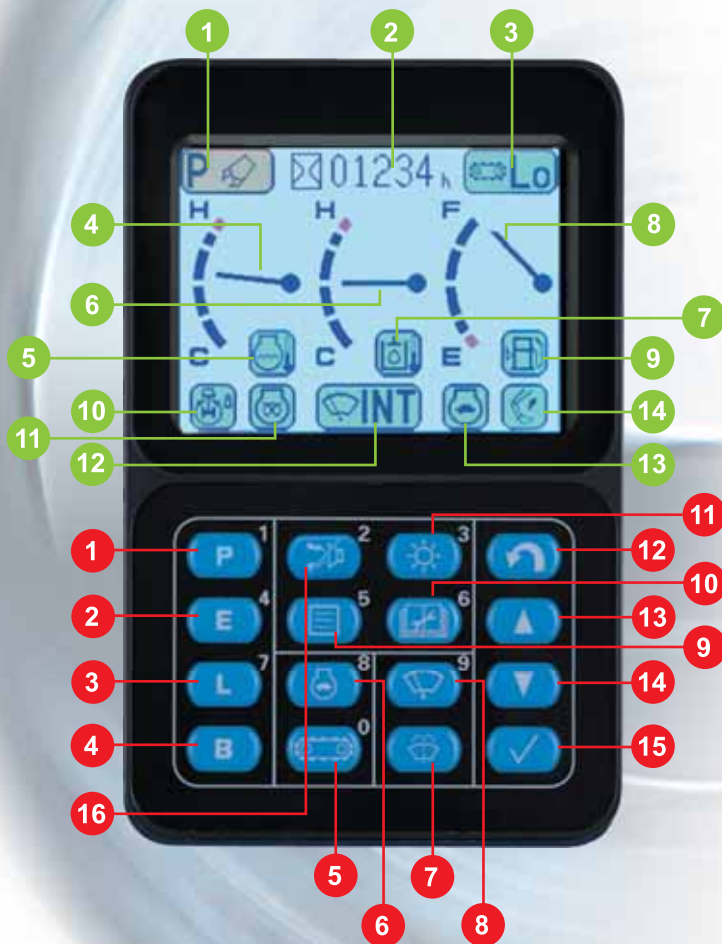
EMMS

EMMS (Equipment Management and Monitoring System)

The EMMS is a highly sophisticated system, controlling and monitoring all the excavator functions. The user interface is highly intuitive and provides the operator with easy access to a huge range of functions and operating information.

Four working modes

The PC340-7 is equipped with three working modes: (P, E, B), plus a lifting mode (L). Each mode is designed to match the engine speed, pump speed, and system pressure with the current operating requirement. This provides the flexibility to match equipment performance to the job at hand.



On-screen symbols

- 1 Operating mode
- 2 Service hours meter
- 3 Travel speed
- 4 Engine water gauge
- 5 Engine water temperature warning
- 6 Hydraulic oil gauge
- 7 Hydraulic oil temperature warning
- 8 Fuel level gauge
- 9 Fuel low level warning
- 10 Swing lock
- 11 Pre-heat
- 12 Continuous/intermittent window wiper
- 13 Auto deceleration
- 14 PowerMax

Push-button control switches

- 1 'Power' mode
- 2 'Economy' mode
- 3 'Lifting' mode
- 4 'Breaker' mode
- 5 Travel speed selector switch
- 6 Auto deceleration
- 7 Window washer
- 8 Window wiper
- 9 Select (For attachment oil flow adjustment)
- 10 Maintenance mode
- 11 Screen brightness adjustment
- 12 Input (return)
- 13 Input (up)
- 14 Input (down)
- 15 Input (confirm)
- 16 Buzzer cancel

Power mode

For maximum power and fast cycle times. Normally used for heavy operations such as hard digging and loading. This mode allows access to the 'PowerMax' function to temporarily increase the digging force by 7% for added power in tough situations.

Economy mode

The environmentally-friendly mode. For running more quietly during operations at night and/or in urban areas. Fuel consumption and exhaust emissions are reduced.

Breaker mode

Delivers optimal hydraulic pressure, flow and engine RPMs for powerful breaker operations.

Lifting mode

Increases the lifting capacity 7% by raising the hydraulic pressure. This mode supports safe lifting operations.

Working mode	Application	Advantage
P	Power mode	<ul style="list-style-type: none"> • Maximum production/power • Fast cycle times
E	Economy mode	<ul style="list-style-type: none"> • Excellent fuel economy
B	Breaker mode	<ul style="list-style-type: none"> • Optimum engine RPMs and hydraulic flow
L	Lifting mode	<ul style="list-style-type: none"> • Hydraulic pressure has been increased by 7%



Hydraulic flow general adjustment screen in B (breaker) mode

Easy to see and easy to use

Superb recognition colour LCD screens for each mode. Letters and numbers are combined with colour images for exceptionally clear and easy-to-read information. The high-resolution screen is easy to read in bright sunlight and in all lighting conditions.



Fine tune hydraulic flow adjustment screen in B (breaker) mode

Automatic three-speed travel

The travel speed is automatically shifted from high to low speed, according to the ground conditions.

	High	Mid	Low
Travel speed	5,5 km/h	4,5 km/h	3,2 km/h



Fine tune hydraulic flow adjustment screen in P (power) or E (economy) mode

Fingertip hydraulic pump oil flow adjustment

From the LCD monitor, you can automatically select the optimal hydraulic pump oil flow for breaking, crushing, and other operations in the B, P or E modes. Also, when simultaneously operating with attachments and work equipment, the flow to the attachment is reduced automatically, thus delivering a smooth movement of the work equipment.

Password protection

Prevents unauthorised machine use or transport. The engine cannot be started without your four-digit use or password. For total security, the battery is connected directly to the starter motor. Both the starter and the engine need the password. The password can be activated and deactivated upon request.



Password screen

WORKING ENVIRONMENT

PC340-7's cab interior is spacious and provides a comfortable working environment...

SpaceCab™

Comfortable cab

The new PC340-7 inner cab volume is 14% greater than the Dash 6, offering an exceptionally comfortable operating environment. The large cab enables the seat, with headrest, to be reclined to horizontal.

Pressurised cab

The standard-equipped climate control, air filter and a higher internal air pressure resist dust entry into the cab.

Low-noise design

Noise levels are substantially reduced; engine noise as well as swing and hydraulics operations noise.

Cab damper mounting for low vibration levels

PC340-7 uses a new and improved viscous damping cab mount system that incorporates a longer stroke plus an added spring. The new cab damper mounting, combined with strengthened left and right-side decks, aids the reduction of vibrations to the operator's seat. Vibrations at the floor level have been reduced from 120 dB (VL) to 115 dB (VL).

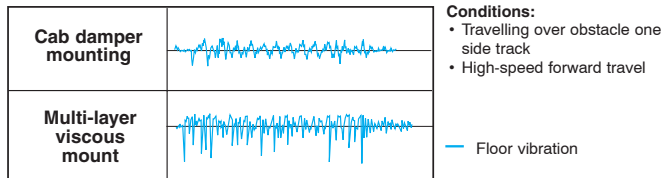
dB (VL) is an index of vibration level. As it increases, vibration increases and operator comfort is reduced.



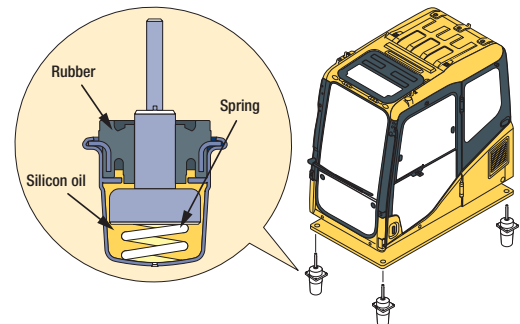
Outer air filter

Easy removal/installation of the air conditioner filter element, without tools facilitates easier cleaning.

Riding comfort comparison



Vertical pitch oscillation on the graph shows the intensity of vibration



Roof hatch



12-Volt power supply and (optional) radio cassette



Climate control



Bottle holder and magazine rack

Safety features

Multi-position controls

The multi-position, proportional pressure control levers allow the operator to work in comfort whilst maintaining precise control. A double-slide mechanism allows the seat and controllers to move together, or independently, allowing the operator to position the controllers for maximum productivity and comfort.



Hot and cool box



3 button lever



Seat sliding range: 340 mm – increased by 120 mm over the Dash 6



Defroster/demister

Improved, wide visibility

The right side window pillar has been removed and the rear pillar reshaped to provide greater visibility. Blind spots have been decreased by 34%.

Pump/engine room partition

This prevents hydraulic oil from spraying onto the engine to reduce the risk of fire.

Thermal and fan guards

Are placed around high-temperature parts of the engine. The fan belt and pulleys are well protected.

Steps with non-skid surface and large handrail

Steps with non-slip surfacing ensure safer maintenance.

Thermal guard



Non-slip sheet



Large handrail for safe access



PRODUCTIVITY FEATURES

Engine

The PC340-7 gets its exceptional power and work capacity from a Komatsu SAA6D114E-3 engine. Its output is 184 kW/247 HP, providing increased hydraulic power and improved fuel efficiency.



Hydraulics

The unique two-pump system ensures smooth, simultaneous movement of the work equipment. Komatsu's exclusive HydrauMind system controls both of the pumps for most-efficient use of engine power. The system also reduces hydraulic loss during operations. Optional, additional hydraulic circuits may be ordered.



Additional hydraulic circuits

Larger drawbar pull

PC340-7's maximum drawbar pull has been increased by 17% over Dash 6, providing superb slope climbing capability. Maximum drawbar pull: 26.900 kg

Larger arm crowd force and digging force provide increased production

Large bore cylinders are installed on the short arm to greatly increase digging forces and productivity in tough conditions. The arm crowd force has increased 17% and the bucket digging force has increased 22% when the PowerMax function is applied (compared to the PC340-6).

Bucket digging force*: 23.100 kg
Arm crowd force*: 17.400 kg

* Measured with PowerMax function, 3.190 mm arm and ISO rating

The cross sections of boom and arm have been enlarged to provide superb durability.

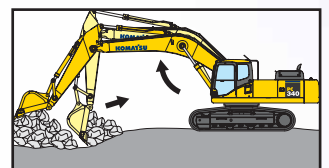


Heavy-duty arm

Two-mode boom control

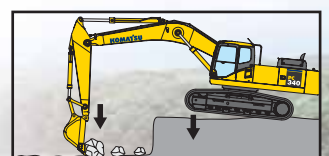
The smooth mode provides easy operation for gathering blasted rock and scraping operations. When maximum digging force is needed, switch to the power mode for more effective excavating.

Boom floats upward, reducing lifting of machine front. This facilitates gathering blasted rock and scraping down operations.



Smooth mode

Boom pushing force is increased, ditch digging and box digging operation on hard ground are improved.



Power mode

Excellent reliability and durability

Reliable components

All of the major machine components, such as the engine, hydraulic pump, hydraulic motor and control valves, are designed and manufactured by Komatsu. This guarantees that each component is expressly built for the class and model of machine. This ensures that the engineering, manufacturing standards and testing that go into each component are 'totally-Komatsu'.

Highly-rigid, robust work equipment

The strengthened boom and arm have large cross-sectional dimensions as well as continuous two-sided groove welding, improving the digging and side-contact strengths.

Sturdy frame structure

The revolving frame, centre frame and undercarriage have been designed using the most advanced three-dimensional Computer Aided Design (CAD) and Finite Elements Modelling (FEM) analysis technology.

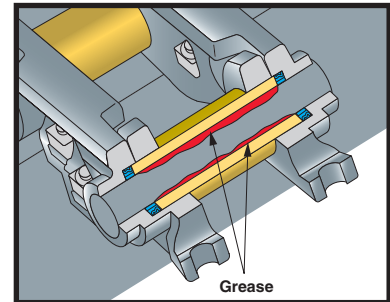
Highly-reliable electronic devices

Exclusively-designed electronic devices are certified by severe testing.

- Controller
- Sensors
- Connectors
- Heat-resistant wiring

Metal guard rings

These protect all hydraulic cylinders and improve reliability.



Grease-sealed track provides excellent undercarriage durability



Track link with strut
The PC340-7 uses track links with struts, providing superb durability

Harmony with the environment

Low-emission engine

Komatsu SAA6D114E-3 is EU Stage IIIA compliant, with reduced NOx emissions.

Economy (environment) mode

'Economy' mode meets the needs of the 21st century. This mode offers the user fuel savings, quiet operation, and less emissions.

Low noise

Noise has been reduced from the engine as well as from swing and hydraulic operations. The dynamic noise level is just 75 dB(A) at operator ear level (ISO 6369).

Easy end-of-life recycling

The PC340-7 is designed with the consideration of end-of-life recycling, effectively reducing its environmental impact.

- All exterior parts are made of steel.
- Extended engine oil, hydraulic oil and filter replacement intervals reduce environmental impact.
- All plastic parts are given a material code symbol.

VHMS

VHMS (Vehicle Health Monitoring System)

The VHMS's precise health-check system indicates all of the machine's running conditions. At the beginning of, and during, each work shift, abnormality information and machine functions can be checked from the operator's seat.

New features: VHMS machine health monitoring

- Up to four different mechanical system measurements can be monitored at the same time.
- A "Maintenance Indicator" function has been added. (Filter and oil replacement time display function)
- Mechanical system failures are now monitored, in addition to electrical system failures.
- Failures are indicated with a 6-digit failure code.

Displays running conditions and abnormality indications

At the operator's fingertips: the VHMS controller monitors engine oil level, cooling water level, fuel level, engine water temperature, engine oil pressure, battery charging level, air filter clogging, and more.

The monitor also indicates whenever abnormalities are detected.

Maintenance alert assistance

The VHMS monitor alerts when oil and filters need to be replaced.

Operation data memory

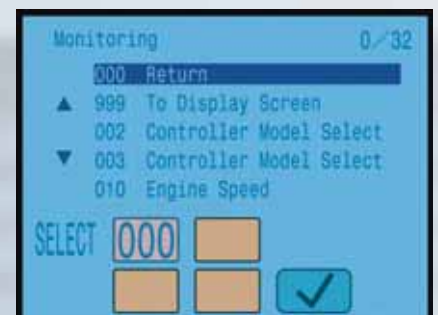
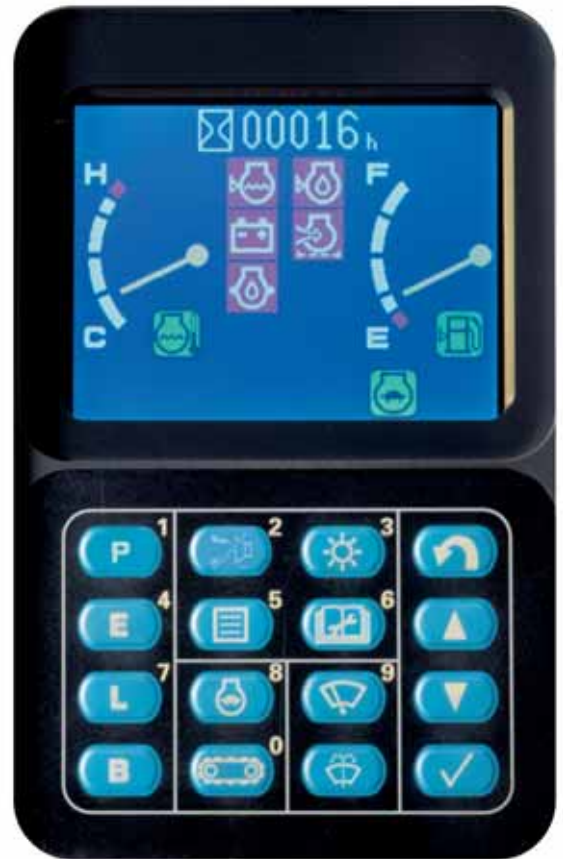
The system memorises machine operating data such as engine output, hydraulic pressure, and more.

Trouble data memory

The monitor stores and recalls electrical system and mechanical system failures and abnormalities for effective troubleshooting. The twenty most-recent electrical system failures are stored. Mechanical system failures cannot be erased, ensuring accurate documentation of vital service management information.

VHMS 'real time monitoring system'

The 'real time monitoring system' displays up to four different operating parameters simultaneously, giving the mechanic a total overview for faster troubleshooting. Parameters include operating conditions such as hydraulic oil pressure, engine RPMs, various voltages and currents, and even temperature measurement.



Real time monitoring

ECOT3™ Engine

New ECOT3™ Engine SAA6D114E-3

To meet EU Stage IIIA regulations whilst maintaining our industry backing fuel efficiency advantages, Komatsu introduces the all new ECOT3™ engine series.

The Komatsu ECOT3™ (Ecology & Economy Technology 3) 114 series engines are based on five key technologies:

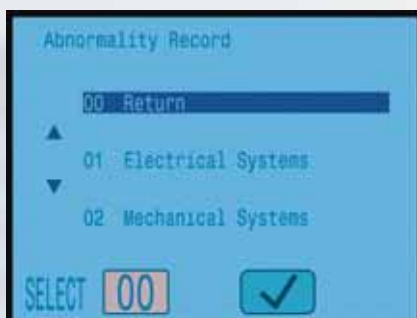
- Electronic control system
- High pressure common rail fuel injection
- Cooled exhaust gas recycling system
- New combustion system
- Air-to-air cooling system



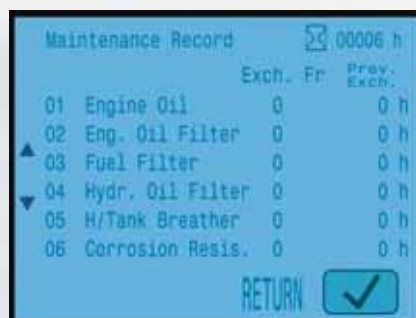
KOMTRAX™ Komatsu Tracking System

Track your machine – anytime, anywhere

The Komatsu Tracking System, Komtrax™, provides a revolutionary new way to monitor your equipment, anytime and anywhere. It lets you pinpoint the precise location of your machines and obtain real-time service-hour meter readings over an internet connection. The Komtrax system consists of an electronic control unit, a GPS transmitter and a satellite antenna installed in your machine. It connects to a system of GPS and telecommunications satellites to provide locations and exchange data. Designed to be future-proof, the Komtrax system will meet your needs today and tomorrow.



Trouble data memory



Maintenance record



Maintenance mode change

MAINTENANCE FEATURES

Easy maintenance

Komatsu designed the PC340-7 to have easy service access. By doing this, routine maintenance and servicing are less likely to be skipped. This can mean a reduction in costly downtime later on. Here are some of the many service features found on the PC340-7:

Side-by-side cooling

The oil cooler and radiator are installed side by side. As a result, it is very easy to clean the radiator, etc. In addition, the operator can remove and install the aftercooler, radiator and oil cooler in a short time.



Water separator

This is standard equipment which removes any water that has become mixed with the fuel, preventing fuel system damage.



Easy access to the engine oil filter and fuel drain valve

The engine oil filter and fuel drain valve are mounted remotely to improve accessibility.



Flexible warranty

When you purchase Komatsu equipment, you gain access to a broad range of programmes and services that have been designed to help you get the most from your investment. For example, Komatsu's Flexible Warranty Programme provides a range of extended warranty options on the machine and its components. These can be chosen to meet your individual needs and activities. This programme is designed to help reduce total operating costs.

SPECIFICATIONS



ENGINE

Model..... Komatsu SAA6D114E-3
 Type..... Common rail direct injection, water-cooled, emissionised, turbocharged, after-cooled diesel
 Rated capacity..... 184 kW/247 HP (ISO 9249 Net) at engine speed 1.950 rpm
 No. of cylinders..... 6
 Bore x stroke..... 114 x 135 mm
 Displacement..... 8,27 ltr
 Battery..... 2 x 12 V/140 Ah
 Alternator..... 24 V/60 A
 Starter motor 24 V/11 kW
 Air filter type Double element type with monitor panel dust indicator and auto dust evacuator
 Cooling..... Suction type cooling fan with radiator fly screen



HYDRAULIC SYSTEM

Type..... HydrauMind. Closed-centre system with load sensing and pressure compensation valves
 Additional circuits Depending on the specification up to 2 additional circuits can be installed
 Main pump..... 2 variable displacement piston pumps supplying boom, arm, bucket, swing and travel circuits
 Maximum pump flow 2 x 268 ltr/min
 Relief valve settings
 Implement..... 380 bar
 Travel..... 380 bar
 Swing..... 285 bar
 Pilot circuit..... 33 bar



ENVIRONMENT

Engine emissions Fully complies with EU Stage IIIA exhaust emission regulations
 Noise levels
 LwA external 105 dB(A) (2000/14/EC Stage II)
 LpA operator ear 75 dB(A) (ISO 6369 dynamic test)



OPERATING WEIGHT (APPR.)

Operating weight, including 6.470 mm one-piece boom, two-piece boom, 2,6 m arm, 1.700 kg bucket, operator, lubricant, coolant, full fuel tank and the standard equipment.



SWING SYSTEM

Type..... Axial piston motor driving through planetary double reduction gearbox
 Swing lock Electrically actuated wet multi-disc brake integrated into swing motor
 Swing speed..... 0 - 9,5 rpm
 Swing torque 102,9 kNm



DRIVES AND BRAKES

Steering control 2 levers with pedals giving full independent control of each track
 Drive method Hydrostatic
 Travel operation..... Automatic 3-speed selection
 Gradeability 70%, 35°
 Max. travel speeds
 Lo / Mi / Hi..... 3,2 / 4,5 / 5,5 km/h
 Maximum drawbar pull 26.900 kg
 Brake system..... Hydraulically operated discs in each travel motor



UNDERCARRIAGE

Construction X-frame centre section with box section track-frames
 Track assembly
 Type Fully sealed
 Shoes (each side)..... 48 (PC340LC, PC340NLC)
 Tension..... Combined spring and hydraulic unit
 Rollers
 Track rollers (each side)..... 8 (PC340LC, PC340NLC)
 Carrier rollers (each side) 2



COOLANT AND LUBRICANT CAPACITY (REFILLING)

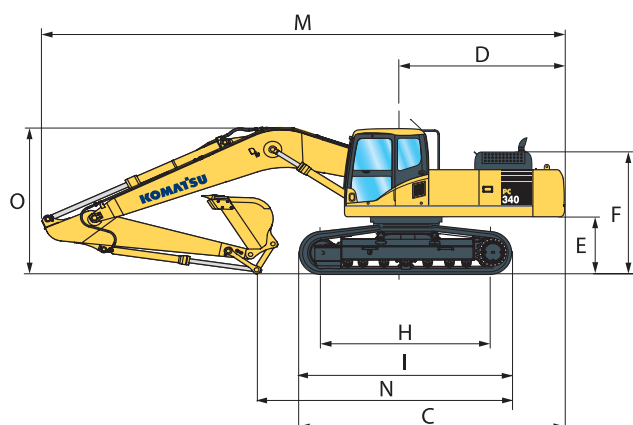
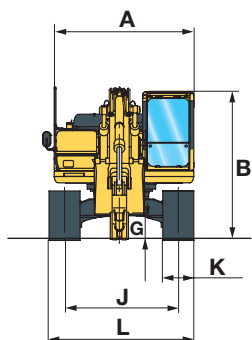
Fuel tank..... 605 ltr
 Radiator..... 32 ltr
 Engine oil..... 35 ltr
 Swing drive..... 13,4 ltr
 Hydraulic tank..... 188 ltr
 Final drive (each side) 8,5 ltr

	MONO BOOM				TWO-PIECE BOOM			
	PC340LC-7		PC340NLC-7		PC340LC-7		PC340NLC-7	
Triple grouser shoes	Operating weight	Ground pressure	Operating weight	Ground pressure	Operating weight	Ground pressure	Operating weight	Ground pressure
600 mm	33.070 kg	0,59 kg/cm ²	32.970 kg	0,59 kg/cm ²	34.095 kg	0,61 kg/cm ²	33.995 kg	0,61 kg/cm ²
700 mm	33.450 kg	0,51 kg/cm ²	33.350 kg	0,51 kg/cm ²	34.475 kg	0,53 kg/cm ²	34.375 kg	0,53 kg/cm ²
800 mm	33.830 kg	0,45 kg/cm ²	33.730 kg	0,45 kg/cm ²	34.855 kg	0,47 kg/cm ²	34.775 kg	0,47 kg/cm ²
850 mm	34.020 kg	0,43 kg/cm ²	-	-	35.045 kg	0,45 kg/cm ²	-	-

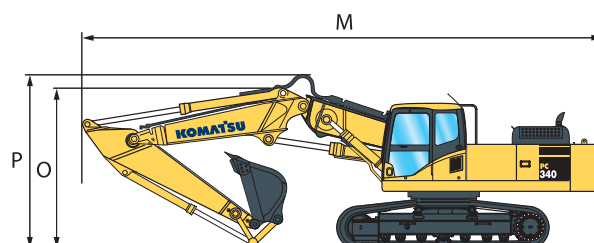
MACHINE DIMENSIONS

MACHINE DIMENSIONS		PC340LC-7	PC340NLC-7
A	Overall width of upper structure	2.995 mm	2.995 mm
B	Overall height of cab	3.130 mm	3.130 mm
C	Overall length of basic machine	5.882 mm	5.882 mm
D	Tail length	3.405 mm	3.405 mm
	Tail swing radius	3.450 mm	3.450 mm
E	Clearance under counterweight	1.186 mm	1.186 mm
F	Machine tail height	2.580 mm	2.580 mm
G	Ground clearance	498 mm	498 mm
H	Tumbler center distance	4.030 mm	4.030 mm
I	Track length	4.955 mm	4.955 mm
J	Track gauge	2.590 mm	2.390 mm
K	Track shoe width	600, 700, 800, 850 mm	600, 700, 800, 850 mm
L	Overall track width with 600 mm shoe	3.190 mm	2.990 mm
	Overall track width with 700 mm shoe	3.290 mm	3.090 mm
	Overall track width with 800 mm shoe	3.390 mm	3.190 mm
	Overall track width with 850 mm shoe	3.440 mm	3.240 mm

MONO BOOM



TWO-PIECE BOOM



ARM LENGTH		MONO BOOM				TWO-PIECE BOOM			
		2,2 m	2,6 m	3,2 m	4,0 m	2,2 m	2,6 m	3,2 m	4,0 m
M	Transport length	11.290 mm	11.180 mm	11.140 mm	11.170 mm	11.275 mm	11.215 mm	11.145 mm	10.930 mm
N	Length on ground (transport)	7.155 mm	6.760 mm	5.930 mm	5.475 mm	7.740 mm	7.095 mm	6.420 mm	6.205 mm
O	Overall height (to top of boom)	3.400 mm	3.410 mm	3.280 mm	3.760 mm	3.345 mm	3.315 mm	3.420 mm	4.005 mm
P	Overall height (to top of hose)	-	-	-	-	3.640 mm	3.615 mm	3.710 mm	4.160 mm



BUCKET OPTIONS & DIGGING FORCES

Specifications and equipment may vary according to regional availability

BUCKET AND ARM COMBINATION			ARM LENGTH			
Width (without side cutters)	Capacity (SAE, PCSA heaped)	Weight (without side cutters)	2,2 m	2,6 m	3,2 m	4,0 m
800 mm	0,85 m ³	880 kg	○	○	○	○
1.000 mm	1,13 m ³	1.010 kg	○	○	○	○
1.200 mm	1,42 m ³	1.160 kg	○	○	○	□
1.400 mm	1,75 m ³	1.290 kg	○	○	○	□
1.500 mm	1,87 m ³	1.350 kg	○	○	○	□
1.600 mm	2,02 m ³	1.400 kg	○	○	○	△
1.800 mm	2,32 m ³	1.520 kg	□	□	□	—

Please consult with your distributor for the correct selection of buckets and attachments to suit the application. The recommendations are given as a guide only, based on typical operating conditions.

- Material weight up to 1,8 t/m³
- Material weight up to 1,5 t/m³
- △ Material weight up to 1,2 t/m³
- Not usable

A full range of Komatsu wear parts is available.

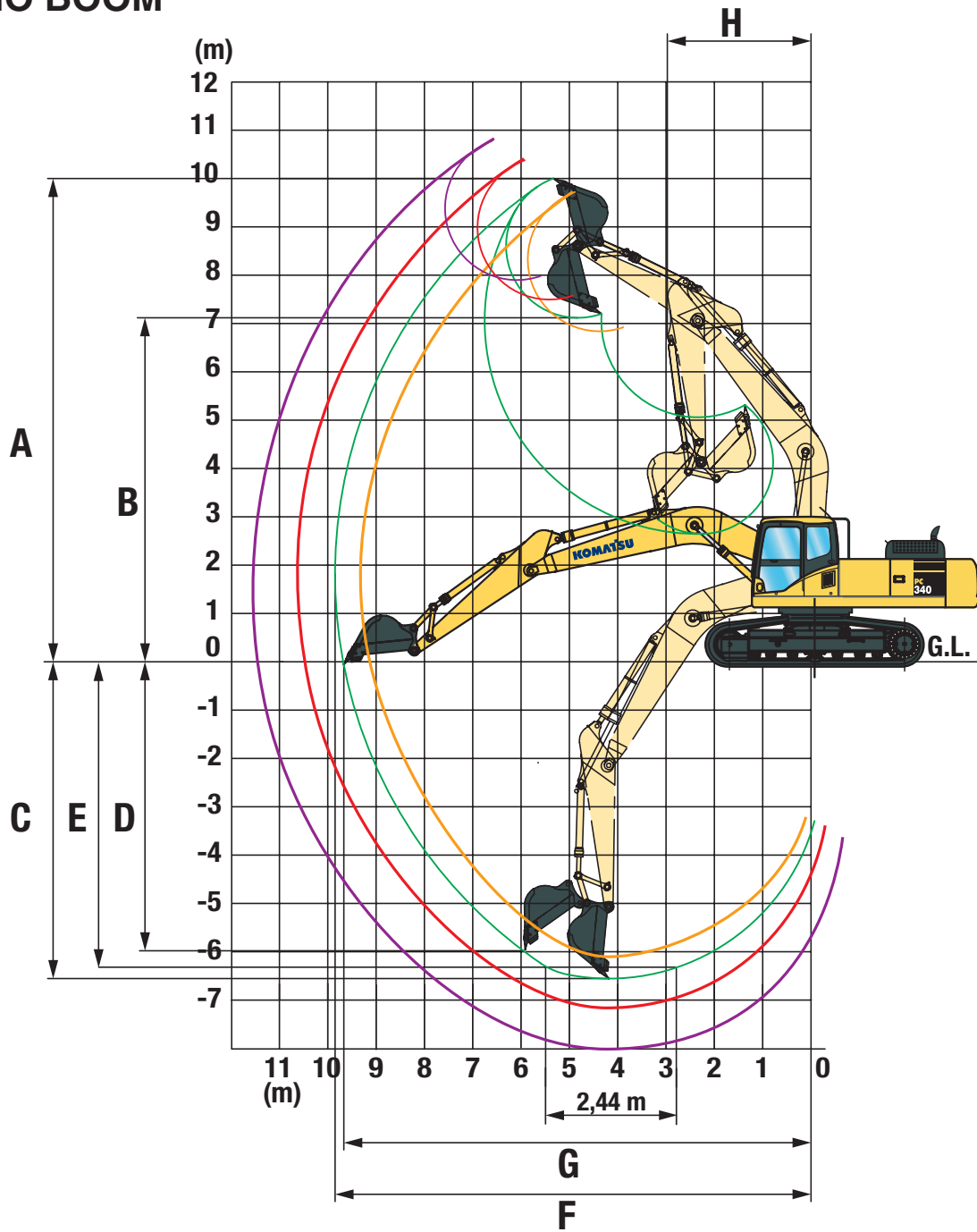
A wide range of attachments is available. Please consult your distributor for details of the full range.



BUCKET AND ARM FORCE				
Arm length	2,2 m	2,6 m	3,2 m	4,0 m
Bucket digging force	24.700 kg	24.700 kg	21.600 kg	21.600 kg
Bucket digging force at power max.	26.400 kg	26.400 kg	23.100 kg	23.100 kg
Arm crowd force	22.400 kg	19.100 kg	16.300 kg	13.700 kg
Arm crowd force at power max.	24.000 kg	20.500 kg	17.400 kg	14.700 kg

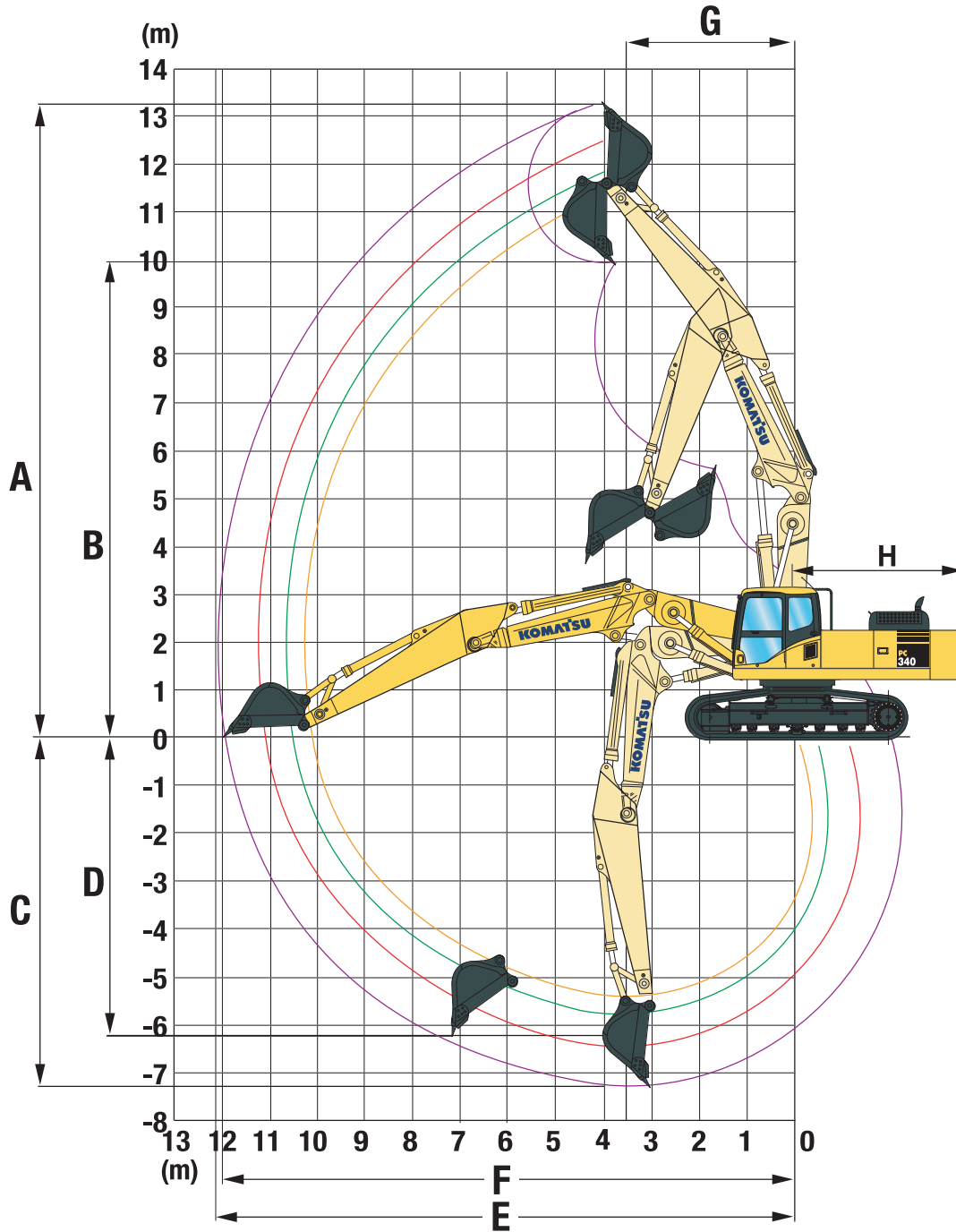
WORKING RANGES

MONO BOOM



ARM LENGTH		2,2 m	2,6 m	3,2 m	4,0 m
A	Max. digging height	9.580 mm	9.965 mm	10.210 mm	10.550 mm
B	Max. dumping height	6.595 mm	6.895 mm	7.110 mm	7.490 mm
C	Max. digging depth	6.355 mm	6.705 mm	7.380 mm	8.180 mm
D	Max. vertical wall digging depth	5.120 mm	5.880 mm	6.480 mm	7.280 mm
E	Max. digging depth of cut for 2,44 m level	6.130 mm	6.520 mm	7.180 mm	8.045 mm
F	Max. digging reach	10.155 mm	10.550 mm	11.100 mm	11.900 mm
G	Max. digging reach at ground level	9.950 mm	10.355 mm	10.920 mm	11.730 mm
H	Min. swing radius	4.390 mm	4.400 mm	4.310 mm	4.320 mm

TWO-PIECE BOOM

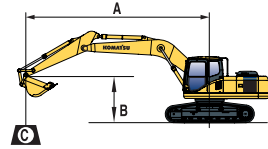


ARM LENGTH		2,2 m	2,6 m	3,2 m	4,0 m
A	Max. digging height	11.590 mm	12.080 mm	12.515 mm	13.260 mm
B	Max. dumping height	8.345 mm	8.755 mm	9.195 mm	9.930 mm
C	Max. digging depth	5.425 mm	5.815 mm	6.435 mm	7.275 mm
D	Max. vertical wall digging depth	4.260 mm	4.860 mm	5.410 mm	6.240 mm
E	Max. digging reach	10.280 mm	10.710 mm	11.285 mm	12.120 mm
F	Max. digging reach at ground level	10.075 mm	10.515 mm	11.100 mm	11.950 mm
G	Min. swing radius	3.095 mm	3.160 mm	3.120 mm	3.540 mm
H	Tail swing radius	3.405 mm	3.405 mm	3.405 mm	3.405 mm

LIFTING CAPACITY

PC340LC-7

Arm length	A	B	⊗		7,5 m		6,0 m		4,5 m		3,0 m		1,5 m		
			⊏	⊐	⊏	⊐	⊏	⊐	⊏	⊐	⊏	⊐	⊏	⊐	
			⊏	⊐	⊏	⊐	⊏	⊐	⊏	⊐	⊏	⊐	⊏	⊐	
With 700 mm shoe 977 kg 1,38 m³	-6.0 m	kg	*3.700	3.550											
	4.5 m	kg	*3.750	3.150	*6.950	5.950									
	3.0 m	kg	*3.950	2.900	*7.800	5.600	*9.400	8.200	*12.300	*12.300	*19.450	*19.450			
	1.5 m	kg	*4.250	2.800	*8.600	5.250	*10.850	7.550	*15.100	11.800	*8.550	*8.550			
	0.0 m	kg	*4.750	2.800	8.400	4.950	*11.850	7.050	*16.650	10.900	*8.600	*8.600			
	-1.5 m	kg	5.200	3.000	8.200	4.800	11.700	6.750	*16.950	10.500	*11.450	*11.450	*7.250	*7.250	
	-3.0 m	kg	5.800	3.350	8.100	4.700	11.550	6.650	*16.150	10.450	*15.600	*15.600	*11.000	*11.000	
	-4.5 m	kg	*6.650	4.100	*8.050	4.750	*10.700	6.700	*14.300	10.600	*20.050	*20.050	*15.350	*15.350	
	MONO BOOM														
	With 700 mm shoe 977 kg 1,38 m³	-6.0 m	kg	*4.900	4.250	*7.150	6.000								
4.5 m		kg	*5.000	3.700	*7.700	5.750	*8.950	8.500							
3.0 m		kg	*5.300	3.400	*8.450	5.450	*10.350	7.900	*13.900	12.200					
1.5 m		kg	5.550	3.250	8.600	5.200	*11.600	7.350	*16.350	11.350					
0.0 m		kg	5.650	3.300	8.350	4.950	11.950	6.950	*17.150	10.750	*7.850	*7.850			
-1.5 m		kg	6.100	3.550	8.200	4.800	*11.700	6.800	*16.750	10.600	*12.650	*12.650	*8.850	*8.850	
-3.0 m		kg	6.950	4.100	8.200	4.800	*11.500	6.750	*15.300	10.650	*18.500	*18.500	*13.600	*13.600	
-4.5 m		kg	*7.250	5.250			*9.550	6.950	*12.650	10.950	*16.750	*16.750			
MONO BOOM															
With 700 mm shoe 977 kg 1,38 m³		-6.0 m	kg	*6.900	4.850	*7.800	5.900								
	4.5 m	kg	6.850	4.150	*8.300	5.700	*9.800	8.350	*12.600	*12.600					
	3.0 m	kg	6.350	3.800	8.900	5.450	*11.100	7.750	*15.350	12.000					
	1.5 m	kg	6.200	3.700	8.600	5.200	*12.100	7.300	*17.050	11.050					
	0.0 m	kg	6.350	3.750	8.400	5.000	11.900	6.950	*17.150	10.700					
	-1.5 m	kg	6.900	4.100	8.300	4.900	11.800	6.850	*16.200	10.650	*13.350	*13.350			
	-3.0 m	kg	*7.850	4.800	*8.200	5.000	*10.750	6.700	*14.300	10.850	*18.400	*18.400			
	-4.5 m	kg	*7.350	6.500			*8.250	7.200	*11.000	*11.000	*13.650	*13.650			
	MONO BOOM														
	With 700 mm shoe 977 kg 1,38 m³	-6.0 m	kg	*8.000	5.400	*8.150	5.800	*9.100	8.650						
4.5 m		kg	7.500	4.600	*8.550	5.600	*10.150	8.200	*13.250	13.000					
3.0 m		kg	6.900	4.150	8.800	5.350	*11.350	7.650	*15.900	11.650					
1.5 m		kg	6.700	4.000	8.550	5.100	11.900	6.950	*17.150	10.800					
0.0 m		kg	6.900	4.100	8.350	4.950	11.850	6.900	*16.850	10.550					
-1.5 m		kg	7.550	4.500	8.300	4.900	11.750	6.800	*15.650	10.600	*15.300	*15.300			
-3.0 m		kg	*8.350	5.400			*10.350	6.750	*13.500	10.850	*16.500	*16.500			
-4.5 m		kg	*7.700	*7.700					*9.850	*9.850	*11.600	*11.600			



A – Reach from swing center

B – Bucket hook height

C – Lifting capacities, including bucket linkage and bucket cylinder

⊏ – Rating over front

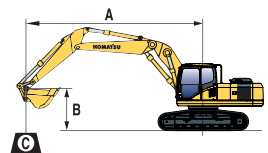
⊐ – Rating over side

⊗ – Rating at maximum reach

When removing bucket, linkage or cylinder, lifting capacities can be increased by their respective weights.

* Load is limited by hydraulic capacity rather than tipping. Ratings are based on SAE Standard No. J1097. Rated loads do not exceed 87% of hydraulic lift capacity or 75% of tipping load.

Arm length	A	B	⊗		10,5 m		9,5 m		7,5 m		6,0 m		4,5 m		
			⊏	⊐	⊏	⊐	⊏	⊐	⊏	⊐	⊏	⊐	⊏	⊐	
			⊏	⊐	⊏	⊐	⊏	⊐	⊏	⊐	⊏	⊐	⊏	⊐	
With 700 mm shoe 977 kg 1,38 m³	7.5 m	kg	*3.300	*3.300			*5.150	4.300	*6.350	*6.350	*6.650	*6.650			
	6.0 m	kg	*3.150	*3.150			*6.150	4.300	*6.650	6.250	*6.950	*6.950			
	4.5 m	kg	*3.150	2.800	*4.100	2.900	*6.400	4.150	*7.200	5.950	*8.350	8.350	*7.950	*7.950	
	3.0 m	kg	*3.200	2.600	5.000	2.850	6.650	3.950	*7.850	5.550	*9.600	8.150	*12.750	*12.750	
	1.5 m	kg	*3.350	2.500	4.900	2.750	6.400	3.750	*8.550	5.150	*10.800	7.400	*15.000	11.500	
	0.0 m	kg	*3.650	2.550	4.800	2.650	6.200	3.550	8.300	4.800	*11.600	6.800	*11.600	6.800	
	-1.5 m	kg	*4.050	2.750			6.050	3.450	8.100	4.600	11.500	6.500	*16.300	10.100	
	-3.0 m	kg					6.050	3.400	8.000	4.550	*11.350	6.400	*15.250	10.050	
	TWO-PIECE BOOM														
	With 700 mm shoe 977 kg 1,38 m³	-7.5 m	kg	*4.400	*4.400					*7.150	6.050	*7.750	*7.750		
6.0 m		kg	*4.200	3.800			*6.000	4.100	*7.350	6.000	*8.300	*8.300	*8.950	*8.950	
4.5 m		kg	*4.200	3.300			6.700	4.000	*7.800	5.700	*9.250	8.450	*11.800	*11.800	
3.0 m		kg	*4.300	3.050			6.500	3.850	*8.450	5.400	*10.450	7.800	*14.250	12.250	
1.5 m		kg	*4.550	2.950			6.350	3.700	8.550	5.050	*11.450	7.150	*16.050	10.950	
0.0 m		kg	*5.000	3.000			6.200	3.550	8.250	4.800	11.800	6.700	*16.550	10.350	
-1.5 m		kg	5.700	3.250			6.150	3.500	8.100	4.650	11.550	6.550	*15.900	10.150	
-3.0 m		kg							8.150	4.650	*10.800	6.550			
TWO-PIECE BOOM															
With 700 mm shoe 977 kg 1,38 m³		-7.5 m	kg	*6.550	5.450					*7.850	5.850	*8.550	*8.550	*9.850	*9.850
	6.0 m	kg	*6.250	4.350					*7.900	5.850	*9.050	*8.800	*10.950	*10.950	
	4.5 m	kg	*6.200	3.750			6.600	3.950	*8.300	5.600	*9.950	8.250	*12.950	*12.950	
	3.0 m	kg	5.900	3.450			6.500	3.800	*8.800	5.300	*11.000	7.600			
	1.5 m	kg	5.800	3.350			6.350	3.700	8.500	5.000	*11.800	7.000			
	0.0 m	kg	5.950	3.450			6.250	3.600	8.250	4.800	11.700	6.650	*16.300	10.200	
	-1.5 m	kg	6.450	3.750					8.200	4.700	*11.550	6.550	*15.100	10.200	
	-3.0 m	kg													
	TWO-PIECE BOOM														
	With 700 mm shoe 977 kg 1,38 m³	7.5 m	kg	*8.350	6.250							*8.950	8.900	*10.400	*10.400
6.0 m		kg	*7.850	4.850					*8.150	5.750	*9.400	8.650	*11.500	-11.500	
4.5 m		kg	6.950	4.150					*8.500	5.550	*10.250	8.100	*13.500	12.850	
3.0 m		kg	6.400	3.750			6.400	3.750	8.750	5.200	*11.200	7.400			
1.5 m		kg	6.250	3.600			6.300	3.650	8.450	3.950	*11.900	6.850			
0.0 m		kg	6.450	3.700					8.250	4.750	11.600	6.550	*15.900	10.050	
-1.5 m		kg	7.050	4.100					8.200	4.700	*11.250	6.500	*14.450	10.150	
-3.0 m		kg													



A – Reach from swing center

B – Bucket hook height

C – Lifting capacities, including bucket linkage and bucket cylinder

⊏ – Rating over front

⊐ – Rating over side

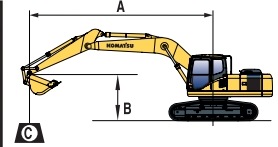
⊗ – Rating at maximum reach

When removing bucket, linkage or cylinder, lifting capacities can be increased by their respective weights.

* Load is limited by hydraulic capacity rather than tipping. Ratings are based on SAE Standard No. J1097. Rated loads do not exceed 87% of hydraulic lift capacity or 75% of tipping load.

Arm length	A	7,5 m		6,0 m		4,5 m		3,0 m		1,5 m				
		⊗		⊗		⊗		⊗		⊗				
		Rating over front	Rating over side	Rating over front	Rating over side	Rating over front	Rating over side	Rating over front	Rating over side	Rating over front	Rating over side			
With 600 mm shoe 4,0 m 977 kg 1,38 m ²	-6.0 m	kg	*3.700	3.150										
	4.5 m	kg	*3.750	2.750	*6.950	5.400								
	3.0 m	kg	*3.950	2.550	*7.800	5.050	*9.400	7.400	*12.300	11.800	*19.450	*19.450		
	1.5 m	kg	*4.250	2.450	8.600	4.700	*10.850	6.750	*15.100	10.500	*8.550	*8.550		
	0.0 m	kg	*4.750	2.450	8.250	4.400	11.850	6.250	*16.650	9.650	*8.600	*8.600		
	-1.5 m	kg	5.100	2.600	8.050	4.200	11.500	5.950	*16.950	9.250	*11.450	*11.450	*7.250	*7.250
	-3.0 m	kg	5.700	2.950	7.950	4.150	11.400	5.850	*16.150	9.200	*15.600	*15.600	*11.000	*11.000
	-4.5 m	kg	*6.650	3.600	8.050	4.200	*10.700	5.950	*14.300	9.350	*20.050	18.950	*15.350	*15.350
	With 600 mm shoe 3,2 m 977 kg 1,38 m ²	-6.0 m	kg	*4.900	3.800	*7.150	5.400							
		4.5 m	kg	*5.000	3.250	*7.700	5.200	*8.950	7.700					
3.0 m		kg	*5.300	3.000	*8.450	4.900	*10.350	7.100	*13.900	10.900				
1.5 m		kg	5.450	2.850	8.450	4.600	*11.600	6.600	*16.350	10.050				
0.0 m		kg	5.550	2.900	8.200	4.400	11.750	6.200	*17.150	9.500	*7.850	*7.850		
-1.5 m		kg	5.950	3.150	8.100	4.250	*11.500	6.000	*15.300	9.400	*18.500	*18.500	*8.850	*8.850
-3.0 m		kg	6.850	3.600	8.100	4.250	*11.500	6.000	*15.300	9.400	*18.500	*18.500	*13.600	*13.600
-4.5 m		kg	*7.250	4.700			*9.550	6.150	*12.650	9.650	*16.750	*16.750		
With 600 mm shoe 2,6 m 977 kg 1,38 m ²		-6.0 m	kg	*6.900	4.350	*7.800	5.350							
		4.5 m	kg	6.700	3.750	*8.300	5.150	*9.800	7.550	*12.600	12.000			
	3.0 m	kg	6.250	3.400	8.750	4.900	*11.100	7.000	*15.350	10.700				
	1.5 m	kg	6.050	3.250	8.600	4.600	12.100	6.500	*17.150	9.450				
	0.0 m	kg	6.250	3.300	8.400	4.450	11.750	6.200	*17.150	9.450				
	-1.5 m	kg	6.750	3.600	8.300	4.350	11.600	6.100	*16.200	9.400	*13.350	*13.350		
	-3.0 m	kg	*7.850	4.300	*8.200	4.450	*10.750	5.950	*14.300	9.600	*18.400	*18.400		
	-4.5 m	kg	*7.350	5.800			*8.250	6.400	*11.000	9.950	*13.650	*13.650		
	With 600 mm shoe 2,2 m 977 kg 1,38 m ²	-6.0 m	kg	*8.000	4.900	*8.150	5.250	*9.100	7.850					
		4.5 m	kg	7.350	4.100	*8.550	5.050	*10.150	7.400	*13.250	11.700			
3.0 m		kg	6.750	3.700	8.800	4.800	*11.350	6.850	*15.900	10.350				
1.5 m		kg	6.600	3.550	8.550	4.550	11.750	6.200	*17.150	9.550				
0.0 m		kg	6.750	3.600	8.350	4.400	11.650	6.100	*16.850	9.300				
-1.5 m		kg	7.400	3.950	8.300	4.350	11.550	6.050	*15.850	9.350	*15.300	*15.300		
-3.0 m		kg	*8.350	4.800			*10.350	6.000	*13.500	9.600	*16.500	*16.500		
-4.5 m		kg	*7.700	6.900					*9.850	*9.850	*11.600	*11.600		

PC340NLC-7



A – Reach from swing center

B – Bucket hook height

C – Lifting capacities, including bucket linkage and bucket cylinder

Rating over front

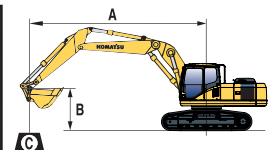
Rating over side

Rating at maximum reach

When removing bucket, linkage or cylinder, lifting capacities can be increased by their respective weights.

* Load is limited by hydraulic capacity rather than tipping. Ratings are based on SAE Standard No. J1097. Rated loads do not exceed 87% of hydraulic lift capacity or 75% of tipping load.

Arm length	A	10,5 m		9,5 m		7,5 m		6,0 m		4,5 m				
		⊗		⊗		⊗		⊗		⊗				
		Rating over front	Rating over side	Rating over front	Rating over side	Rating over front	Rating over side	Rating over front	Rating over side	Rating over front	Rating over side			
With 600 mm shoe 4,0 m 977 kg 1,38 m ²	7.5 m	kg	*3.300	*3.300			*5.150	3.850	*6.350	5.800	*6.650	*6.650		
	6.0 m	kg	*3.150	2.800			*6.150	3.850	*6.650	5.650	*6.950	*6.950		
	4.5 m	kg	*3.150	2.450	*4.100	2.550	*6.400	3.700	*7.200	5.350	*8.350	8.000	*7.950	*7.950
	3.0 m	kg	*3.200	2.250	4.900	2.500	6.550	3.500	*7.850	4.950	*9.600	7.300	*12.750	11.650
	1.5 m	kg	*3.350	2.200	4.800	2.400	6.300	3.300	*8.550	4.600	*10.800	6.600	*15.000	10.200
	0.0 m	kg	*3.650	2.200	4.700	2.300	6.100	3.100	8.200	4.250	*11.600	6.000	*16.250	9.250
	-1.5 m	kg	*4.050	2.350			5.950	3.000	7.950	4.050	11.350	5.700	*16.300	8.800
	-3.0 m	kg					5.950	3.000	7.850	3.950	11.200	5.600	*15.250	8.750
	With 600 mm shoe 3,2 m 977 kg 1,38 m ²	7.5 m	kg	*4.400	4.150			*7.150	5.500	*7.750	*7.750			
		6.0 m	kg	*4.200	3.350			*6.000	3.650	*7.350	5.400	*8.300	8.150	*8.950
4.5 m		kg	*4.200	2.900			6.600	3.550	*7.800	5.150	*9.250	7.650	*11.800	*11.800
3.0 m		kg	*4.300	2.700			6.400	3.400	*8.450	4.800	*10.450	7.000	*14.250	10.900
1.5 m		kg	*4.550	2.600			6.200	3.250	8.400	4.450	*11.450	6.350	*16.050	9.700
0.0 m		kg	*5.000	2.650			6.100	3.100	8.150	4.200	11.600	5.950	*16.550	9.050
-1.5 m		kg	5.600	2.850			6.050	3.050	8.000	4.100	11.350	5.750	*15.900	8.900
-3.0 m		kg							8.000	4.100	*10.800	5.750		
With 600 mm shoe 2,6 m 977 kg 1,38 m ²		7.5 m	kg	*6.550	4.900			*7.900	5.300	*8.550	8.250	*9.850	*9.850	
		6.0 m	kg	*6.250	3.900			*7.950	5.300	*9.050	7.950	*10.950	*10.950	
	4.5 m	kg	*6.200	3.350			6.500	3.500	*8.350	5.050	*10.000	7.450	*13.000	11.900
	3.0 m	kg	5.850	3.050			6.400	3.400	8.700	4.750	*11.050	6.800		
	1.5 m	kg	5.700	2.950			6.250	3.300	8.400	4.450	*11.850	6.250		
	0.0 m	kg	5.850	3.050			6.150	3.200	8.150	4.250	11.550	5.900	*16.400	9.000
	-1.5 m	kg	6.350	3.300					8.100	4.200	11.450	5.800	*15.250	9.000
	-3.0 m	kg												
	With 600 mm shoe 2,2 m 977 kg 1,38 m ²	7.5 m	kg	*8.350	5.650					*8.950	8.250	*9.850	*9.850	
		6.0 m	kg	7.850	4.350					*9.400	7.950	*10.950	*10.950	
4.5 m		kg	6.800	3.650					*8.500	4.950	*10.250	7.450	*13.000	11.900
3.0 m		kg	6.300	3.300			6.300	3.300	8.600	4.650	*11.200	6.800		
1.5 m		kg	6.150	3.200			6.200	3.200	8.300	4.350	11.750	6.250		
0.0 m		kg	6.300	3.250					8.100	4.200	11.400	5.900	*16.400	9.000
-1.5 m		kg	6.900	3.600					8.050	4.150	*11.250	5.800	*15.250	9.000
-3.0 m		kg												



A – Reach from swing center

B – Bucket hook height

C – Lifting capacities, including bucket linkage and bucket cylinder

Rating over front

Rating over side

Rating at maximum reach

When removing bucket, linkage or cylinder, lifting capacities can be increased by their respective weights.

* Load is limited by hydraulic capacity rather than tipping. Ratings are based on SAE Standard No. J1097. Rated loads do not exceed 87% of hydraulic lift capacity or 75% of tipping load.

HYDRAULIC EXCAVATOR

STANDARD EQUIPMENT

- Komatsu SAA6D114E-3, 184 kW turbocharged common rail direct injection diesel engine, EU Stage IIIA compliant
- Double element type air cleaner with dust indicator and auto-dust evacuator
- Suction type cooling fan with radiator fly screen
- Standard counterweight
- In-line filter for hydraulics
- Automatic fuel line de-aeration
- Automatic engine warm-up system
- Engine overheat prevention system
- Engine key stop
- Alternator 24 V/60 A
- Batteries 2 × 12 V/140 Ah
- Starter motor 24 V/11 kW
- Electronic closed-centre load sensing (E-CLSS) hydraulic system (HydraMind)
- Pump and engine mutual control (PEMC) system
- KOMTRAX™ Komatsu Tracking System
- Multi-function colour monitor with equipment management monitoring system (EMMS)
- 4-working mode selection system; power mode, economy mode, breaker mode and lifting mode
- PowerMax function
- Auto-deceleration function
- Fuel control dial
- Adjustable PPC wrist control levers with 3 button controls for arm, boom, bucket and swing
- PPC control levers and pedals for steering and travel
- One additional 2-way proportional service valve (full flow)
- Hydrostatic, 3-speed travel system with automatic shift and planetary gear type final drives, and hydraulic travel and parking brakes
- SpaceCab™; Highly pressurised and tightly sealed hyper viscous mounted cab with tinted safety glass windows, opening roof hatch with window pull-up type, pull-up type front window with locking device, removable lower window, front window wiper with intermittent feature, sun roller blind, cigarette lighter, ashtray, luggage shelf, floor mat
- Hot and cool box
- Beverage holder and magazine rack
- Heated air suspension seat with adjustable arm rests and retractable seat belt
- Automatic climate control system
- 12 Volt power supply
- Radio cassette
- Electric horn
- Track roller guards
- Track frame under-guards
- Lockable fuel cap and covers
- Remote greasing for swing circle and pins
- Fuel supply pump
- Overload warning device
- Boom safety valves
- Two-mode boom control
- Large handrails and r.h. rear-view mirror
- Lights; 2 revolving frame lights and 1 boom light
- Toolkit and spare parts for first service
- Standard colour scheme and decals
- Parts book and operator manual
- Engine ignition can be password secured on request

OPTIONAL EQUIPMENT

- LC and NLC undercarriages
- 600, 700, 800, 850 mm triple grouser track shoes
- Mono boom / Two-piece boom
- 2,2 m; 2,6 m; 3,2 m; 4,0 m arms
- Additional hydraulic circuits
- OPG Level II top guard (FOPS)
- OPG Level II front guard (FOPS)
- Full length track roller guards
- Service points
- Bio oil
- Additional working lamps, including cab roof lights, r.h. boom lamp, cw rear lamp and beacon
- Rain visor (not with OPG)
- Lower wiper
- Komatsu buckets
- Arm safety valve
- Customised paint
- Further equipment on request

Call the experts

KOMATSU®

**Komatsu Europe
International NV**

Mechelsesteenweg 586
B-1800 VILVOORDE (BELGIUM)
Tel. +32-2-255 24 11
Fax +32-2-252 19 81
www.komatsueurope.com

UESS11300 01/2006

Materials and specifications are subject to change without notice.

KOMATSU is a trademark of Komatsu Ltd. Japan.