

KOMATSU®

NET HORSEPOWER
125 kW 168 HP @ 2.000 rpm

OPERATING WEIGHT
26.119 kg - 29.634 kg

MAX. HORIZONTAL REACH
18.250 mm

PC240LC-7 PC240NLC-7

PC
240

SUPER LONG FRONT



PC240LC/NLC-7

WALK-AROUND

The PC240-7 is a rugged, productive, all-European machine. Designed and expressly built for European markets, it delivers productivity, reliability and operator comforts in a robust, environmentally-friendly package. Komatsu's exclusive, on-board, HydraMind system assists in all operations, providing enhanced machine performance that's always perfectly matched to the task.

What's new on Dash 7:

- Heavy duty work equipment (up to 1,8 ton/m³ material density)
- Low fuel consumption
- Easier maintenance and serviceability
- Improved operator comfort
- Lower noise
- Meets EC Stage II emission regulations
- Advanced Attachment Control
- Multi-function colour monitor

Advanced Attachment Control

The PC240-7 Super Long Front can be specified with an advanced attachment control system.

- Operator selectable hydraulic flow control
- Operation by wrist control push buttons
- Adjustable presets for rapid attachment changeover
- Additional filters and accumulators for attachment and machine protection
- Hydraulic relief pressure control
- Automatic changeover valves

Excellent reliability and durability

- Reliable major components designed and built by Komatsu
- Exceptionally-reliable electronic devices



NET HORSEPOWER
125 kW 168 HP

OPERATING WEIGHT
26.119 kg - 29.634 kg

MAX. HORIZONTAL REACH
18.250 mm

BUCKET CAPACITY
0,4 m³ (1,8 ton/m³)
0,68 m³ (1,1 ton/m³)

Easy maintenance

- Extended hydraulic filter, engine oil filter and engine oil replacement interval
- Remote-mounted engine oil filter and fuel drain valve, for easy access
- Standard-equipped water separator
- Easier radiator cleaning
- Increased fuel tank capacity
- SCSH bushings on the work equipment extend the lubricating interval significantly (100 hrs up to 500 hrs)

SpaceCab™

The new PC240-7's cabin space has been increased by 14%, offering an exceptionally-roomy operating environment.

- Sealed and pressurised cab with standard air conditioning
- Low-noise design
- Low-vibration design with cabin damper mounting
- OPG Level I (ISO) compliant cabin

In harmony with the environment

- The low emission engine meets EC Stage II emissions standards with increased power and machine productivity
- The economy mode reduces fuel consumption
- Low operating noise
- Designed for easy end-of-life recycling

Heavy counterweight

provides a stable base



SPECIFICATIONS



ENGINE

Model Komatsu SAA6D102E-2
 Type Direct injection, water-cooled, emissionised, turbocharged, after-cooled diesel
 Rated capacity 125 kW/168 HP (ISO 9249 Net) at engine speed 2.000 rpm
 No. of cylinders 6
 Bore/stroke 102/120 mm
 Displacement 5,88 ltr
 Battery 2 x 12 V/95 Ah
 Alternator 24 V/60 A
 Starter motor 24 V/5,5 kW
 Air filter type Double element type with monitor panel dust indicator and auto-dust evacuator
 Cooling Suction type cooling fan with radiator fly screen



HYDRAULIC SYSTEM

Type HydrauMind. Closed-centre system with load sensing and pressure compensation valves
 Additional circuits 1 additional circuit can be installed
 Main pump 2 variable displacement piston pumps supplying boom, arm, bucket, swing and travel circuits
 Maximum pump flow 2 x 220 ltr/min
 Relief valve settings
 Implement 380 kg/cm²
 Travel 380 kg/cm²
 Swing 290 kg/cm²
 Pilot circuit 33 kg/cm²
 Attachment (where fitted) up to 190 kg/cm²



ENVIRONMENT

Engine emissions Fully complies with EC Stage II exhaust emission regulations
 Noise levels
 LwA external 104 dB(A) (2000/14/EC)
 LpA operator ear 73 dB(A) (ISO 6369 dynamic test)



OPERATING WEIGHT (APPR.)

Operating weight, including Super Long Front boom and arm, 367 kg bucket, operator, lubricant, coolant, full fuel tank and the standard equipment.



SWING SYSTEM

Type Axial piston motor driving through planetary double reduction gearbox
 Swing lock Electrically actuated wet multi-disc brake integrated into swing motor
 Swing speed 0 - 11,7 rpm



DRIVES AND BRAKES

Steering control 2 levers with pedals giving full independent control of each track
 Drive method Hydrostatic
 Travel operation Automatic 3-speed selection
 Max. travel speeds
 Lo / Mi / Hi 3,1 / 4,2 / 5,5 km/h
 Maximum drawbar pull 20.570 kg
 Brake system Hydraulically operated discs in each travel motor



UNDERCARRIAGE

Construction X-frame centre section with box section track-frames
 Track assembly
 Type Fully sealed
 Shoes (each side) 51 (PC240LC), 49 (PC240NLC)
 Tension Combined spring and hydraulic unit
 Rollers
 Track rollers (each side) 10 (PC240LC), 9 (PC240NLC)
 Carrier rollers (each side) 2



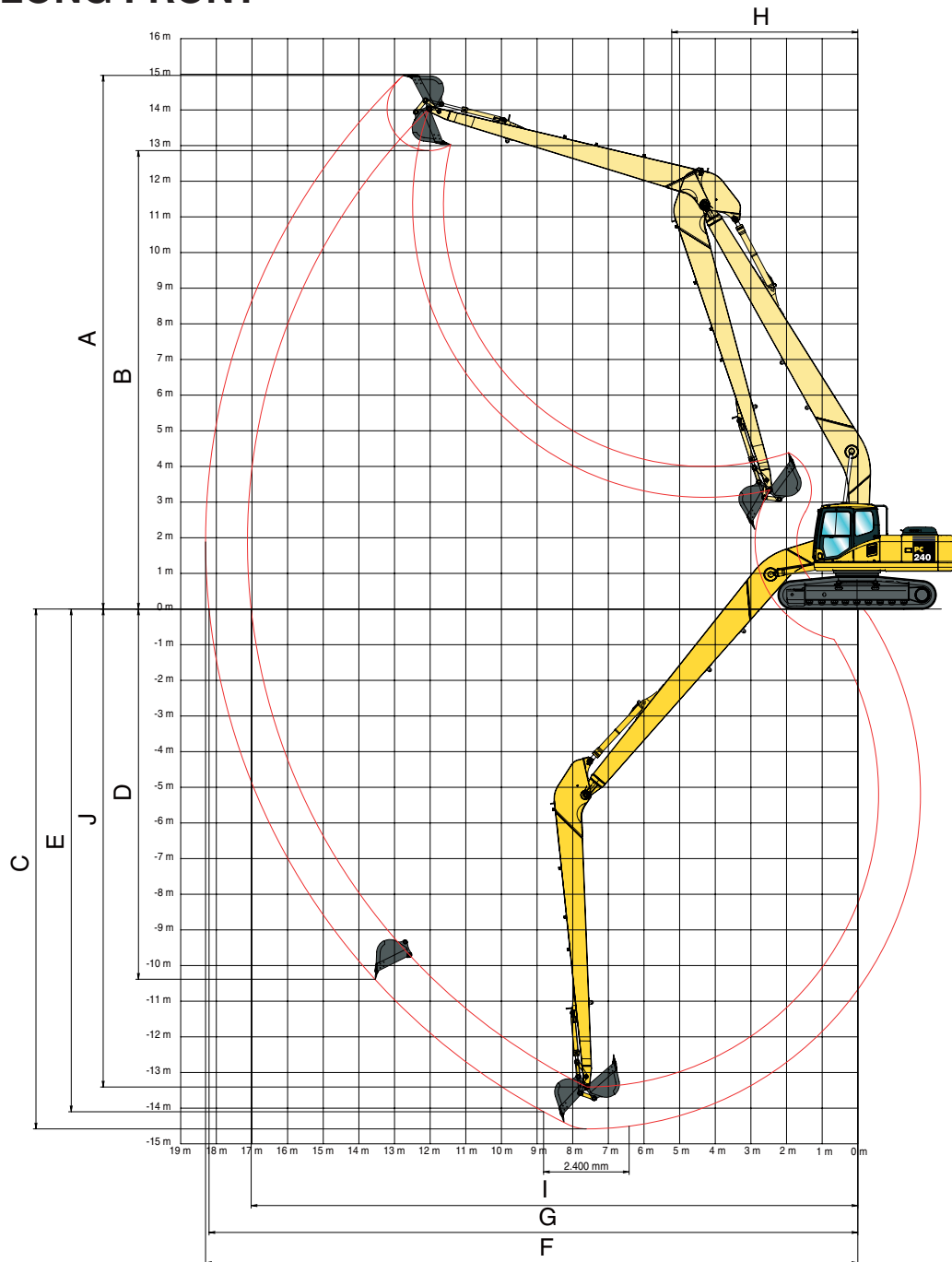
COOLANT AND LUBRICANT CAPACITY (REFILLING)

Fuel tank 400,0 ltr
 Radiator 30,9 ltr
 Engine oil 24,0 ltr
 Swing drive 6,6 ltr
 Hydraulic tank 143,0 ltr
 Final drive (each side) 4,5 ltr

	SUPER LONG FRONT				SUPER LONG FRONT WEEDCUTTER SPEC			
	PC240LC-7		PC240NLC-7		PC240LC-7		PC240NLC-7	
Triple grouser shoes	Operating weight	Ground pressure	Operating weight	Ground pressure	Operating weight	Ground pressure	Operating weight	Ground pressure
600 mm	27.119 kg	0,57 kg/cm ²	26.119 kg	0,60 kg/cm ²	28.734 kg	0,61 kg/cm ²	-	-
700 mm	27.419 kg	0,49 kg/cm ²	26.719 kg	0,52 kg/cm ²	29.034 kg	0,52 kg/cm ²	28.334 kg	0,55 kg/cm ²
800 mm	27.719 kg	0,44 kg/cm ²	-	-	29.334 kg	0,46 kg/cm ²	-	-
900 mm	28.019 kg	0,39 kg/cm ²	-	-	29.634 kg	0,41 kg/cm ²	-	-

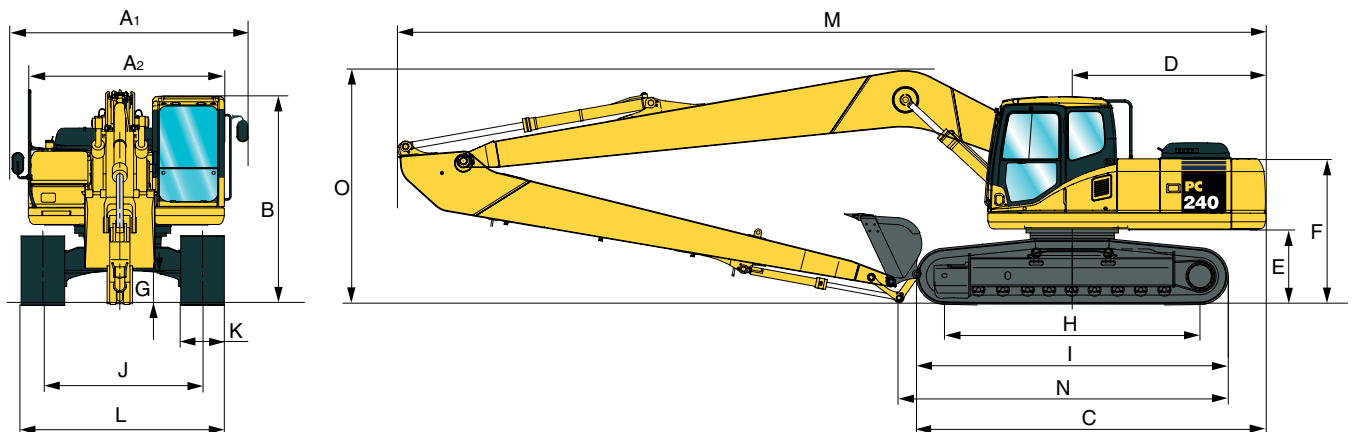
WORKING RANGE

SUPER LONG FRONT



SUPER LONG FRONT		
A	Max. digging height	14.970 mm
B	Max. dumping height	12.860 mm
C	Max. digging depth	14.580 mm
D	Max. vertical wall digging depth	10.385 mm
E	Max. digging depth of cut for 2,44 m level	14.100 mm
F	Max. digging reach	18.300 mm
G	Max. digging reach at ground level	18.250 mm
H	Min. swing radius	5.220 mm
I	Max. pin reach at ground level	17.020 mm
J	Max. pin depth	13.405 mm

TRANSPORT DIMENSIONS



MACHINE DIMENSIONS		PC240LC-7	PC240NLC-7
A ₁	Overall width of upper structure	3.020 mm	3.020 mm
A ₂	Overall width of machine body	2.710 mm	2.710 mm
B	Overall height of cab	3.015 mm	3.015 mm
C	Overall length of basic machine	5.225 mm	5.030 mm
D	Tail length	2.905 mm	2.905 mm
	Tail swing radius	2.940 mm	2.940 mm
E	Clearance under counterweight	1.100 mm	1.100 mm
F	Machine tail height (top of engine cover)	2.390 mm	2.390 mm
G	Ground clearance	440 mm	440 mm
H	Track length on ground	3.845 mm	3.655 mm
I	Track length	4.640 mm	4.450 mm
J	Track gauge	2.580 mm	2.380 mm
K	Track shoe width	600, 700, 800, 900 mm	600, 700, 800 mm
L	Overall track width with 600 mm shoe	3.180 mm	2.980 mm
	Overall track width with 700 mm shoe	3.280 mm	3.080 mm
	Overall track width with 800 mm shoe	3.380 mm	3.180 mm
	Overall track width with 900 mm shoe	3.480 mm	-
M	Transport length	14.400 mm	14.400 mm
N	Length on ground (transport)	4.520 mm	4.520 mm
O	Overall height (to top of boom)	3.230 mm	3.230 mm

PC240LC/NLC 18 m Super Long Front

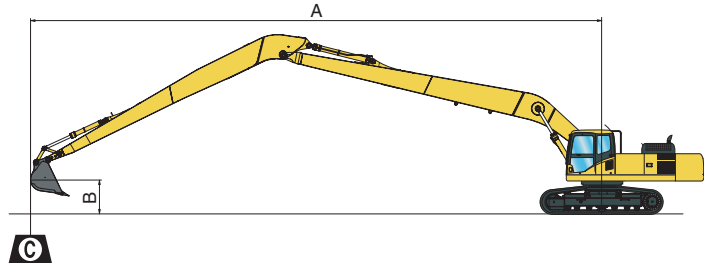
RECOMMENDED BUCKETS				
Model	Material density	Ditching max. width	Standard width	Bucket volume
PC240LC-7	1,8 ton/m ³	2,1 m	0,75 m	0,47 m ³
PC240LC-7	1,1 ton/m ³	2,1 m	0,95 m	0,68 m ³
PC240NLC-7	1,8 ton/m ³	2,1 m	0,6 m	0,35 m ³
PC240NLC-7	1,1 ton/m ³	2,1 m	0,7 m	0,4 m ³

PC240LC/NLC 18 m Super Long Front (Machines prepared for powered attachments only)

RECOMMENDED ATTACHMENTS					
Mower			Weedcutter basket		
Weight	Flowrate	Pressure	Weight	Flowrate	Pressure
840 kg	150 ltr/min	190 kg/cm ²	840 kg	34 ltr/min	100 kg/cm ²

LIFTING CAPACITY

18 m SUPER LONG FRONT (Not powered attachment spec)



- A - Reach from swing centre
- B - Bucket hook height
- F - Rating over front
- S - Rating over side
- MAX - Rating at maximum reach

PC240LC-7

700 mm shoes, 367 kg bucket

A	MAX		17 m		15 m		13 m		12 m		11 m		10 m		9 m		8 m		7 m		6 m	
B	F	S	F	S	F	S	F	S	F	S	F	S	F	S	F	S	F	S	F	S	F	S
14 m	900*	900*																				
10 m	850*	850*			1150*	1150*	1700*	1700*														
6 m	850*	850*	850*	850*	1900*	1600	2000*	2000*	2050*	2050*	2050*	2050*										
3 m	950*	950*	1350*	1050	2250*	1450	2400*	2000	2550*	2350	2700*	2700*	2900*	2900*	3100*	3100*	3400*	3400*	3800*	3800*		
0 m	1100*	900	1500*	950	2200	1300	2800	1700	3100*	2000	3350*	2300	3700*	2700	4150*	3200	4750*	3750	5600*	4550	6800*	5600
-3 m	1350*	900			2050	1150	2600	1500	2900	1750	3350	2000	3850	2300	4450	2700	5300	3200	6400	3850	8100	4750
-6 m	1800*	1050			2000	1100	2450	1400	2800	1600	3150	1850	3650	2150	4250	2500	5050	3000	6150	3600	7850	4550
-9 m	2350	1350					2500	1450	2800	1650	3200	1850	3700	2200	4250	2550	5100	3000	6250	3700	8000	4700
-13 m	3900*	2850													4000*	2900	4600*	3450	5300*	4200	6150*	5300

PC240NLC-7

600 mm shoes, 367 kg bucket

A	MAX		17 m		15 m		13 m		12 m		11 m		10 m		9 m		8 m		7 m		6 m	
B	F	S	F	S	F	S	F	S	F	S	F	S	F	S	F	S	F	S	F	S	F	S
14 m	900*	900*																				
10 m	850*	850*			1150*	1150*	1700*	1700*														
6 m	850*	850*	850*	850*	1900*	1400	2000*	1950	2050*	2050*	2050*	2050*										
3 m	950*	800	1350*	850	2100	1250	2400*	1700	2550*	2000	2700*	2400	2900*	2850	3100*	3100*	3400*	3400*	3800*	3800*		
0 m	1100*	700	1500	750	1900	1050	2450	1450	2850	1700	3250	2000	3700*	2300	4150*	2750	4750*	3250	5600*	3950	6800*	4850
-3 m	1350*	700			1750	950	2250	1250	2550	1450	2950	1650	3400	1950	3950	2300	4650	2700	5650	3250	7100	4000
-6 m	1600	800			1700	850	2150	1150	2450	1300	2750	1500	3200	1750	3700	2100	4450	2500	5400	3050	6850	3800
-9 m	2050	1100					2200	1150	2450	1350	2800	1550	3200	1800	3750	2100	4450	2500	5500	3100	7000	3950
-13 m	3900*	2450													4000*	2500	4600*	2950	5300*	3600	6150*	4550

Lifting capacity table is published for guidance only, the machine is not intended for use as a crane.
 Lifting capacities are stated in kg, on the tip of the arm, for machine on firm, level supporting surface.
 The weight of any attachment used should be deducted from the values shown, to calculate payload.
 Indicated loads are based on ISO 10567 standard and do not exceed 75% of tipping or 87% of hydraulic capacity (indicated by *).
 Lifting capacity of the machine is limited by machine stability, hydraulic capacity and maximum permissible load of the attachment.

HYDRAULIC EXCAVATOR



STANDARD EQUIPMENT

- Komatsu SAA6D102E-2 125 kW direct injection emissionised Stage II intercooled turbocharged engine
 - Double element type air cleaner with dust indicator and auto-dust evacuator
 - Suction type cooling fan with radiator fly screen
 - Automatic fuel line de-aeration
 - Engine key stop
 - Alternator 24 V/60 A
 - Batteries 2 × 12 V/95 Ah
 - Starter motor 24 V/5,5 kW
 - Electronic closed-centre load sensing (E-CLSS) hydraulic system (HydrauMind)
 - Pump and engine mutual control (PEMC) system
 - Multi-function colour monitor with equipment management monitoring system (EMMS)
 - 4-working mode selection system;
- Active mode, economy mode, breaker mode and lifting mode
 - PowerMax function
 - Auto-deceleration function
 - Automatic engine warm-up system
 - Engine overheat prevention system
 - Fuel control dial
 - Adjustable PPC wrist control levers with 3 button controls for arm, boom, bucket and swing
 - PPC control levers and pedals for steering and travel
 - One additional 2-way proportional service valve (full flow)
 - Hydrostatic, 3-speed travel system with automatic shift and planetary gear type final drives, and hydraulic travel and parking brakes
 - SpaceCab™; Highly pressurised and tightly sealed viscous mounted cab with tinted safety glass windows, opening roof hatch with
- window pull-up type front window with locking device, removable lower window, front window wiper with intermittent feature, ashtray, luggage box, floor mat
 - Track roller guards
 - Parts book and operator manual
 - Lockable fuel cap and covers
 - Remote greasing for swing circle and pins
 - Fuel supply pump
 - Track frame under-guards
 - 12 Volt power supply
 - Overload warning device
 - Boom safety valves
 - Climate control/Air conditioning
 - Large handrails and rear-view mirrors
 - Cigarette lighter
 - Radio cassette preparation
 - Beverage holder and magazine rack
 - Electric horn
- Hot and cool box
 - Toolkit and spare parts for first service
 - Lights; 2 revolving frame lights and 1 boom light
 - Suspension seat with adjustable arm rests and retractable seat belt
 - Engine ignition can be password secured on request
 - Standard colour scheme and decals
 - Special counterweight for long reach working
 - 18 m Super Long Front boom and arm, with bucket cylinder and arm cylinder and including piping and hoses for bucket cylinder and arm cylinder.

OPTIONAL EQUIPMENT

- LC or NLC undercarriage
- 600 mm triple grouser track-shoes
- 700 mm triple grouser track-shoes
- 800 mm triple grouser track-shoes (includes additional step) (LC only)
- 900 mm triple grouser track-shoes (includes additional step) (LC only)
- Heated air suspension seat
- Full length track roller guards
- Radio cassette
- Service points
- Bio oil
- Rain visor
- "Weedcutter Specification", including one additional hydraulic circuit, additional counterweight, control system

KOMATSU®

Komatsu Europe International NV

Mechelsesteenweg 586
B-1800 VILVOORDE (BELGIUM)
Tel. +32-2-255 24 11
Fax +32-2-252 19 81
www.komatsueurope.com

UESS010100 10/2004

Materials and specifications are subject to change without notice.

KOMATSU® is a trademark of Komatsu Ltd. Japan.