

KOMATSU®

PC18MR-2

OPERATING WEIGHT

1.750 kg

NET POWER

11,2 kW / 14,7 HP @ 2.600 rpm

BUCKET CAPACITY

0,03 ÷ 0,06 m³

PC
18MR-2

PRELIMINARY

MINI-EXCAVATOR



PC18MR-2

SPECIFICATIONS



ENGINE

Model Komatsu 3D67E-1 (STAGE 2)
 Type..... 3 cylinders emissionised 4-cycle diesel engine
 Displacement..... 778 cm³
 Net power (SAE J1349) 11,2 kW (14,7 HP) @ 2.600 rpm
 Max. torque 45,6 Nm @ 2.000 rpm



OPERATING WEIGHT

Operating weight with standard bucket, fully serviced, +80 kg operator (ISO 6016).
 Operating weight with rubber shoes 1.750 kg
 Operating weight with steel shoes 1.820 kg (optional)
 Additional counterweight 110 kg



TRANSMISSION

Type..... 2 speed hydrostatic transmission,
 Max. drawbar pull..... 1.770 daN (1.805 kgf)
 Travel speed 2,3 – 4,3 km/h



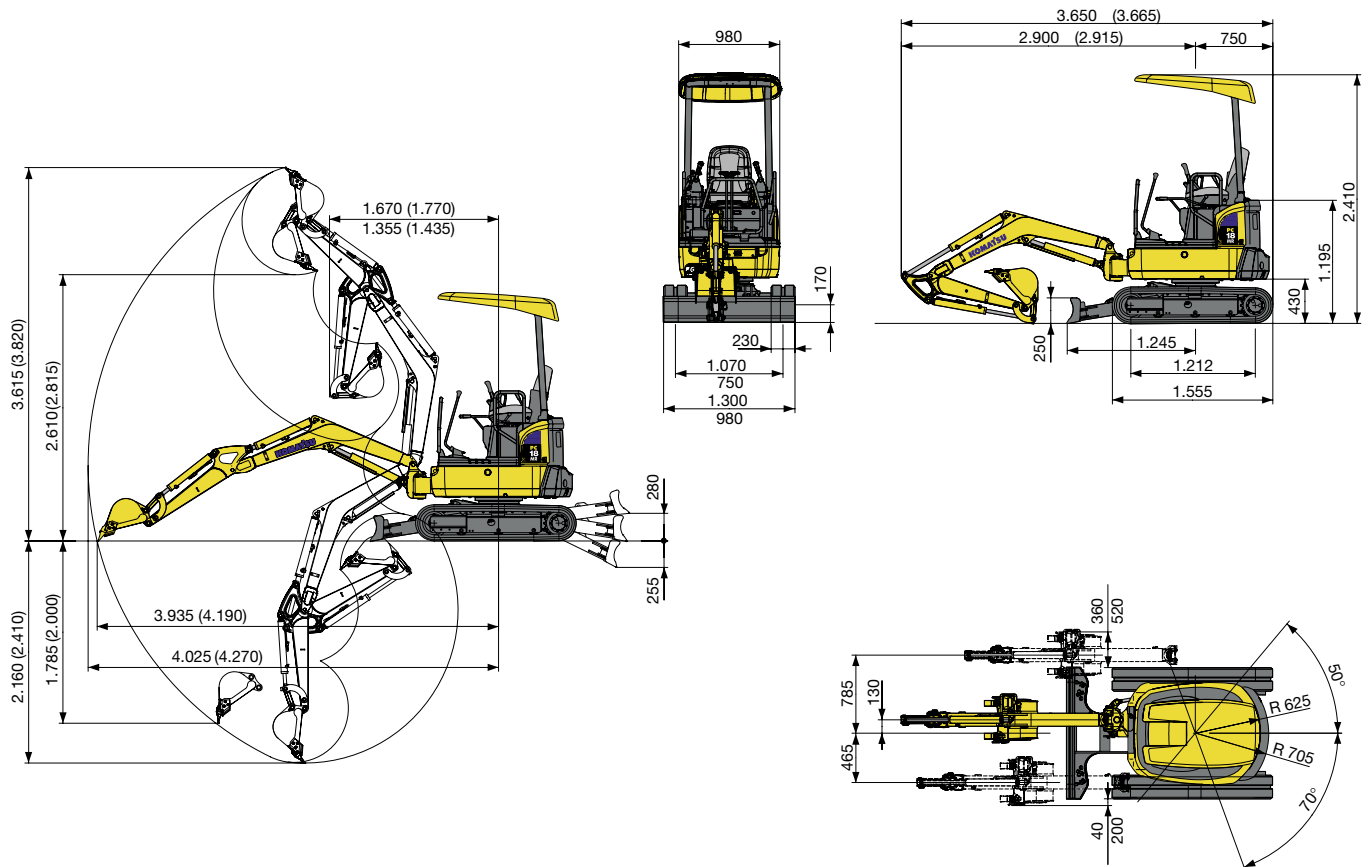
HYDRAULIC SYSTEM

Type..... Komatsu CLSS
 Main pump 1 x piston pump
 Max. pump flow..... 40,8 ltr/min
 Max. operating pressure 23 MPa (230 bar)
 Bucket digging force (ISO 6015) 1.590 daN (1.620 kg)
 Arm crowd force (ISO 6015):
 - 965 mm arm..... 990 daN (1.010 kg)
 - 1.215 mm arm..... 785 daN (865 kg)
 Swing speed..... 8,9 rpm



UNDERCARRIAGE

Track rollers (each side) 3
 Shoe width 230 mm
 Ground pressure (standard) 0,28 kg/cm²
 Standard hydraulically operated track extension



KOMATSU®

Komatsu Europe International NV
 Mechelsesteenweg 586 - B -1800 VILVOORDE (BELGIUM)
 Tel. +32-2-255 24 11 Fax +32-2-252 19 81
 www.komatsueurope.com



Materials and specifications are subject to change without notice. **KOMATSU®** is a trademark of Komatsu Ltd. Japan.

Printed in Europe – This specifications sheet may contain attachments and optional equipment that are not available in your area.
 Please consult your local Komatsu distributor for those items you may require. Materials and specifications are subject to change without notice.